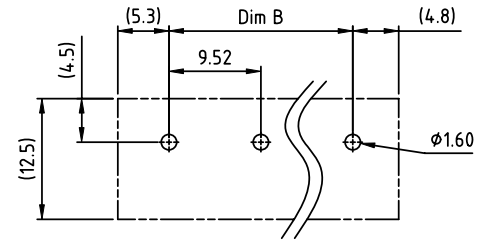
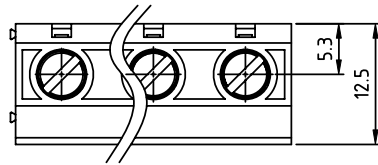
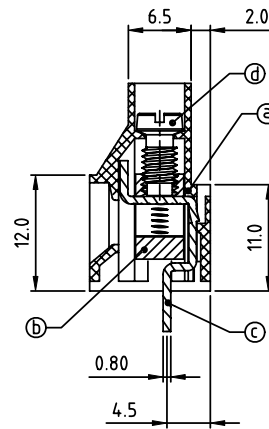
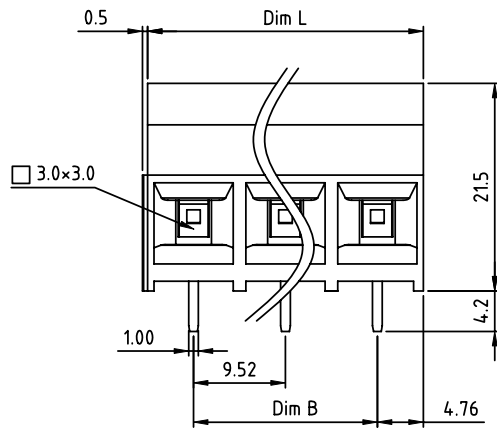


PRODUCT NUMBER	PITCH
T7xx23x000J0G	9.52 mm



RECOMMENDED P.C.B LAYOUT  
TOP VIEW



Material:

- Item (a) Terminal housing : Thermoplastic (UL 94V-0)
- Item (b) Clamp: Brass ,Ni plated
- Item (c) Solder pin: Copper, Tin plated
- Item (d) Terminal screw: Steel Zinc plating"- "slot type

- Electrical cULus TUV
- Voltage rating: 300VAC 750VAC
  - Current rating: 30A 41A
  - Wire range: 0.20-6.0mm<sup>2</sup>
  - Solid wire(AWG): 10-24
  - Stranded wire(AWG): 10-24
  - Torque: 6.9 Lb-in 0.85 N.m
  - Screw: M3.5
  - Wire strip length: 6-7mm
  - Withstanding Voltage: 1.6KV 3.0KV
  - Operating temperature: -40°C to +115°C
  - Soldering temperature: 260°C±5°C/5 Sec
  - Safety Approval:

PART NO.: T7 xx 2 3 x 0 00J0 G

N = Number of poles  
Dim L=Nx9.52  
Dim B=(N-1)x9.52

Poles	Tolerance
2-6p	±0.20
7-11p	±0.30
12-16p	±0.40

End Stackable	No. of poles	Body Color	RoHS compliant
0	2	Black (RAL9005)	(lead<4%) In copper Alloy
02	2 poles	Red (RAL3001/D)	
03	3 poles	Orange(RAL2011/P)	
4	4 poles	Yellow(RAL1018/A)	
...	...	Green(RAL6018/T)	
16	16 poles	Blue (RAL5015/A)	
		8 Grey(RAL7035/D)	
		9 White(RAL1102)	
		C Green(RAL6018/U)	

mat'l. code		surface ASME Y14.5	tolerance ASME Y14.5	projection	product family TERMINAL BLOCK
ltr	ecn no	dr	date	tolerances unless otherwise specified	title TERMINAL BLOCK
				angles X°±1°	MM
				scale	RISING CLAMP,180D WIRE INLET,END STACKABLE
		dr	EVIN ZHONG	041414	dwg no
		enr	EVIN ZHONG	041414	sheet 1 of 1
		chr	HANKE FENG	041414	size A4
		appd	SHI JUN	041414	T7xx23x000J0G
sheet index	revision	A			type CUSTOMER Drawing
	sheet	1			