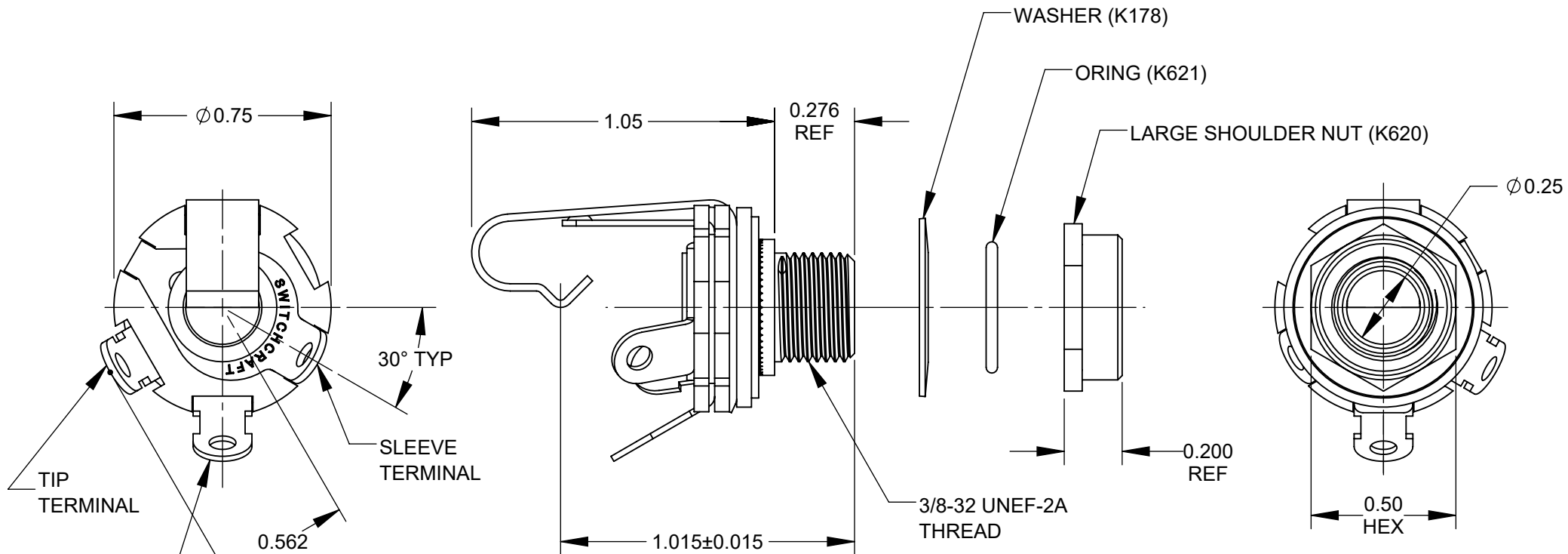
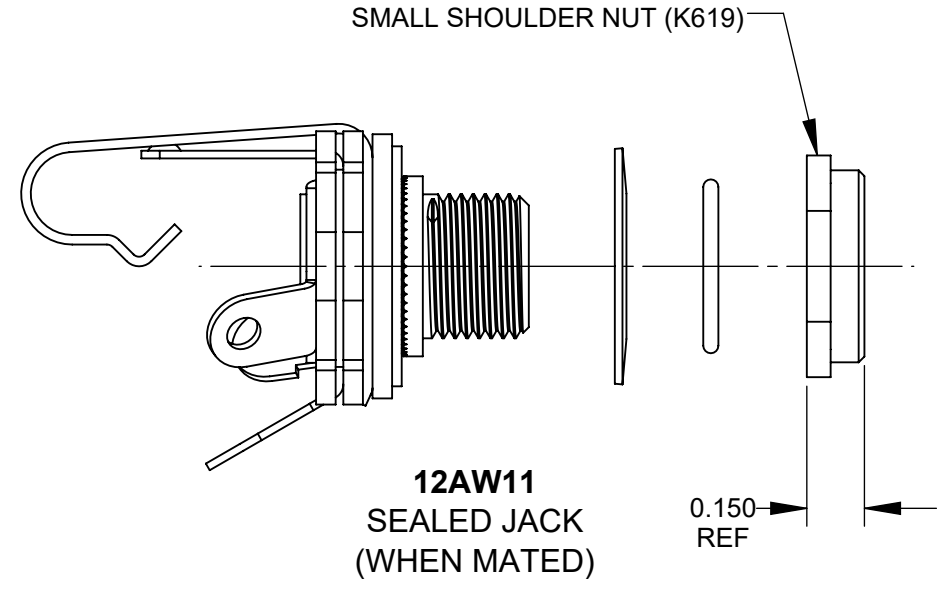


		PANEL THICKNESS AND HARDWARE INSTALLATION															
		12AW07 - LARGE SHOULDER NUT (K620)								12AW11 - SMALL SHOULDER NUT (K619)							
PANEL THICKNESS		0.050	0.055	0.060	0.065	0.070	0.075	0.080	0.085	0.090	0.095	0.100	0.105	0.110	0.115	0.120	0.125
WASHER (K178)		YES	YES	YES	YES	YES	NO	NO	NO	NO	YES	YES	YES	YES	YES	NO	NO



12AW07
SEALED JACK
(WHEN MATED)



12AW11
SEALED JACK
(WHEN MATED)

NOTES:

- INSTALLATION - SEE PANEL THICKNESS AND HARDWARE INSTALLATION TABLE. INSTALL THE JACK AND THE WASHER (IF NEEDED) FROM THE BACK OF THE PANEL. INSTALL THE O-RING AND THEN THE SHOULDER NUT FROM THE FRONT OF THE PANEL. TIGHTEN THE NUT.
- TO BE USED WITH SWITCHCRAFT 250S15-S28 SERIES PLUGS. IP66 RATED WHEN MATED.
- RECOMMENDED MOUNTING HOLE: $\varnothing 0.375$ " [9.5MM]
- RECOMMENDED WORKING TEMPERATURE: -20 TO 50 °C.
- MATERIALS:
 BUSHING - BRASS NICKEL PLATED
 INSULATING WASHERS - PHENOLIC
 SLEEVE TERMINAL - BRASS, HOT TIN COATED
 TIP & TIP SHUNT SPRING - COPPER ALLOY, SILVER PLATED
 O-RING - RUBBER
 METAL WASHERS - STEEL, NICKEL PLATED
 SHOULDER NUT - BRASS, NICKEL PLATED
- RoHS COMPLIANT.

CUSTOMER DRAWING

REV	ECO NUMBER	DATE	BY	APVD
A	28492	5/18/22	TJK	TJK
REVISIONS				

UNLESS OTHERWISE SPECIFIED
 1. ALL DIMENSIONS IN INCHES [mm]
 - TWO PLACE DECIMALS ±0.02 [0.5]
 - THREE PLACE DECIMALS ±0.005 [0.13]

DO NOT SCALE DRAWING

THIS DRAWING DESCRIBES A DESIGN CONSIDERED PROPRIETARY IN NATURE, DEVELOPED AND MANUFACTURED BY SWITCHCRAFT INC. AND IS RELEASED ON A CONFIDENTIAL BASIS FOR IDENTIFICATION PURPOSES ONLY.									
SIZE	WIDTH	MULT	LBS/M	TEMPER					
FINISH					MATERIAL				
SPEC No.					SPEC No.				
FIRST USED ON					SCALE				
					1:1				
DATE DRAWN	BY	CHKD	APVD						
2/17/20	NS	NS	SRC						
					2/17/20				
NAME					PART No.				
SEALED 1/4" MONO JACK, RoHS					12AW07-W11				
					REV				
					A				