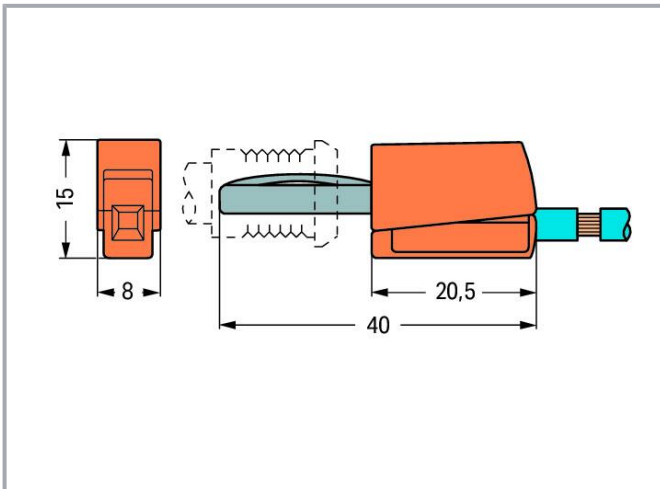


Data sheet | Item number: 215-311

Banana plug; for socket 4 mm Ø; 2,50 mm²; black

www.wago.com/215-311



Subject to changes. Please also observe the further product documentation!

WAGO GmbH & Co. KG
Hansastr. 27
32423 Minden
Phone: +49571 887-0 | Fax: +49571 887-169
Email: info.de@wago.com | Web: www.wago.com

Do you have any questions about our products?
We are always happy to take your call at +49 (571) 887-44222.



Data

Technical data

Main product function	Testing accessories
Total number of potentials	1

Electrical data

Rated current	20 A
Test voltage	42 V

Connection data

Connection technology	CAGE CLAMP®
Strip length	9 ... 11 mm / 0.35 ... 0.43 inches
Connection points	1
Solid conductor	0.08 ... 2.5 mm ² / 28 ... 14 AWG
Fine-stranded conductor	0.08 ... 2.5 mm ² / 28 ... 14 AWG

Physical data

Width	8 mm / 0.315 inches
Height	15 mm / 0.591 inches
Depth	40 mm / 1.575 inches

Material Data

Color	black
Fire load	0.041 MJ
Weight	3.9 g

Commercial data

Product Group	2 (Terminal Block Accessories)
eCl@ss 10.0	27-44-03-13
eCl@ss 9.0	27-44-03-13
ETIM 8.0	EC002255
ETIM 7.0	EC002255
PU (SPU)	50 pcs
Packaging type	box

Subject to changes. Please also observe the further product documentation!



Country of origin	DE
GTIN	4045454293499
Customs tariff number	85366990990

Environmental Product Compliance

RoHS Compliance Status	Compliant, No Exemption
------------------------	-------------------------

Downloads

Documentation

Bid Text

215-311 X81 - Datei	2019 Feb 19	xml 3.1 kB	Download
215-311 doc - Datei	2017 Sep 19	doc 25.1 kB	Download

CAD/CAE-Data

CAE data

EPLAN Data Portal 215-311	URL	Download
WSCAD Universe 215-311	URL	Download

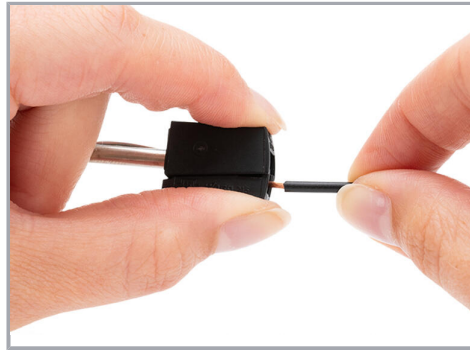
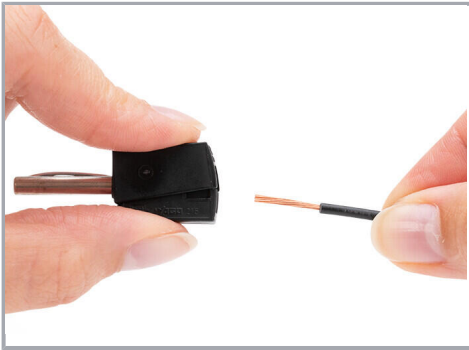
Environmental Product Compliance

Compliance Search

Environmental Product Compliance 215-311 Banana plug; for socket 4 mm Ø; 2,50 mm ² ; black	URL	Download
--	-----	----------

Installation Notes

Subject to changes. Please also observe the further product documentation!

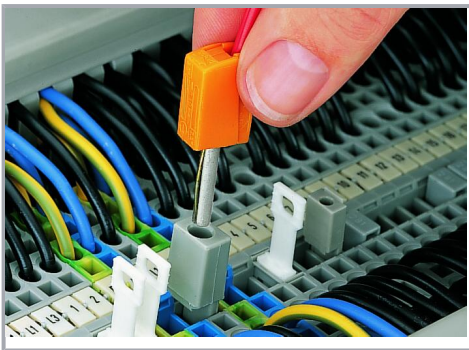


Conductor termination: Press button fully, insert stripped conductor into square entry and release.



Strip conductor to 9 ... 11 mm (0.35 ... 0.43 inch).

Testing



Testing via banana plug.

Picture shows a test plug adapter (209-170).

Subject to changes. Please also observe the further product documentation!