

Type MOCBM-PL Modified Reset Circuit Breaker Automotive Type II Regular Automotive Blade Type



www.optifuse.com

(619) 593-5050

Specifications:

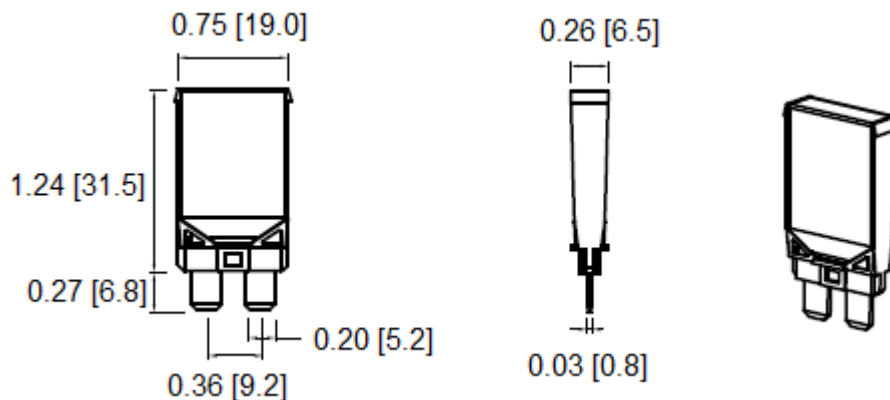
- Modified Reset Type Circuit Breaker – Regular Auto Blade Style
- Voltage: Up to 14V DC
- Amperage: 5A, 7.5A, 10A, 15A, 20A, 25A, 30A
- Body: PBT and the cover is anodized aluminum (silver colored)
- Conforms to American National Standard SAE J553
- Operating Temperature: -40° C ~ 85° C

| Ampere Rated | Interrupt Rating |
|-----------------|------------------|
| 5A-10A version | 150A @ 14 VDC |
| 15A version | 225A @ 14 VDC |
| 20A version | 300A @ 14 VDC |
| 25A-30A version | 450A @ 14 VDC |

Current Rating:

| Rating | Open Time |
|-------------|-----------|
| 100% ± 1.5% | > 30 Min |
| 135% ± 1.5% | < 30 Min |
| 200% ± 1.5% | < 1 Min |

Mechanical Dimensions: Inches [mm]



Warning:



- Operation beyond the specified maximum ratings or improper use may result in damage and possible electrical arcing and/or flame.
- Device is intended for occasional overcurrent protection. Application for repeated overcurrent condition and/or prolonged trip are not anticipated.
- Avoid contact of device with chemical solvent. Prolonged contact may damage the device performance.