

Approval Sheet

Customer : _____

ZC.P/N : ZCD0868-10W13008NM

Description : Lora Fiberglass Antenna

Checked By		
Audit	Producer	Date
KUI LIU	ZLB	2021.04.13

Customer signature		
Quality	Engineer	Purchasing

Product Number: ZCD0868-10W13008NM
Product Name:Lora Fiberglass Antenna

Index:

- 1. Revision History / Page 3**
- 2. Specification / Page 4**
- 3. Characteristics and Reliability Test / Page 5**
- 4. Antenna - S Parameter Test Data / Page 6**
- 5. Antenna - Radiation Pattern Test Data / Page 7 ~ 10**
- 6. Mechanical and Packing Drawing / Page 11 ~ 12**
- 7. Material Description and RoHS Test Report / Page 13 ~ end**

Product Number: ZCD0868-10W13008NM

Product Name:Lora Fiberglass Antenna


1. Revision History

Revision	Date	Change Notification	Description
1.0	2021.04.13	初版	

Product Number: ZCD0868-10W13008NM

Product Name: Lora Fiberglass Antenna

2. Specification

Sample Photo	
	
A. Electrical Characteristics	
Frequency	858~878 MHz
V.S.W.R.	<= 2.0 @ 858~878 MHz
Antenna Gain	8.0 +/- 0.8 dBi @ 858~878MHz
Efficiency(%)	>=60 % @ 858~878MHz
Radiation Pattern	Omni-Directional
Polarization	Linear polarization/Vertical
Impedance	50 Ohm
B. Material & Mechanical Characteristics	
Material of Radiator	CU
Material of Plastic	FRP (white light)
Cable Type	RG-141 50 Ω
Connector Type	N-J Double tooth connector
C. Environmental	
Operation Temperature	- 40 °C ~ + 65 °C
Storage Temperature	- 40 °C ~ + 65 °C
Antenna Color Storage life	< 2 year

Product Number: ZCD0868-10W13008NM

Product Name:Lora Fiberglass Antenna

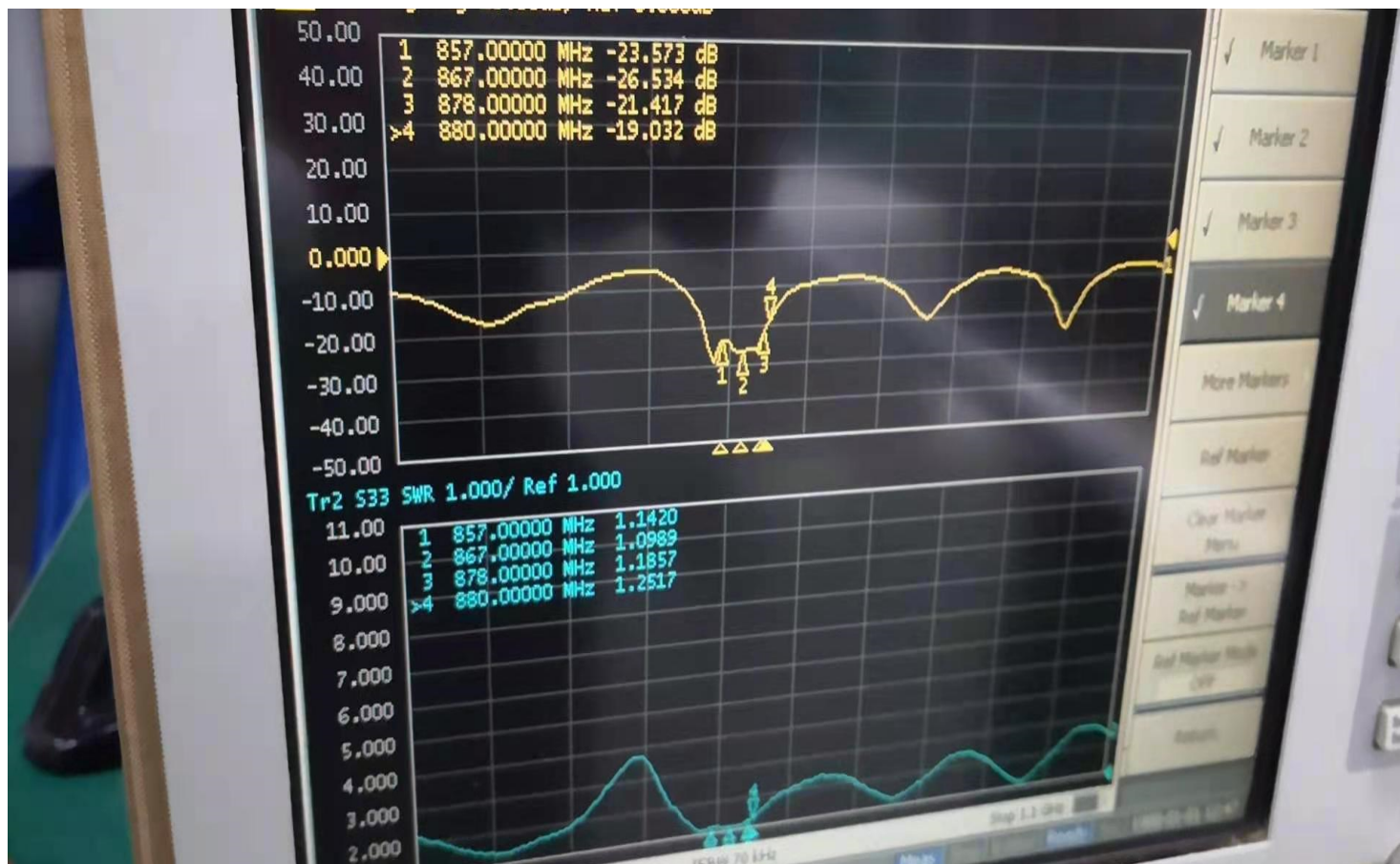
3. Characteristics and Reliability Test

Test Items		Test Condition and Procedure	Requirements
C1	S.W.R.	Set DUT on Network Analyzer; make individual calibration to test	Directive DUT specification
C2	Antenna Gain	Set DUT on Antenna Chamber; make individual calibration to test	Directive DUT specification
M1	Vibration	GB / T2423 . 48-1997 Amplitude: 0.03 inch (1.5mm); Freq: 20 to 80 to 20 Hz 3 directions; 2 hours for each direction	1. No Visual Damage 2. Frequency Tol.<= 5%
M2	Random Drop	GB / T2423.8-1995 Height: 1.0 Meter; 3 directions; 1 time for each direction	1. No parts separated 2. Frequency Tol.<= 5%
M3	Solderability	GB 2423 . 28- 82 Solder iron: 260±5°C; Duration: 5 seconds	1. Mounted on PCB 2. No Visual Damage
M4	Terminal-Pull Test	Holding with individual specification; force applied to axis of terminal	1. Directive DUT specification 2. Frequency Tol.<= 5%
M5	Terminal-Torque Test	Holding with individual specification; applied clockwise and counterclockwise to the axis of terminal	1. Directive DUT specification 2. Frequency Tol.<= 5%
M6	Dimension	Inspection of dimension, color, material, package, surface process	Directive DUT specification
E1	Salt Spray	GB / T 2423 . 17- 93 Temp: 35°C; RH: >= 95%; NaCl solution: >= 5%; Time: 24 hours	After 2 Hours Recovery 1. No Visual Damage 2. Frequency Tol.<= 5%
E2	Humidity	GB / T 2423 . 4 - 93 Temp: 80°C / 12 H; -40°C / 12H RH: >= 90%; Time: 24 hours	After 2 Hours Recovery 1. No Visual Damage 2. Frequency Tol.<= 5%
E3	Thermal Shock	GB / T 2423 . 22 - 87 1 Cycle: - 40°C (30 minutes) to + 80°C (30 minutes) Cycles: 24	After 2 Hours Recovery 1. No Visual Damage 2. Frequency Tol.<= 5%
E4	Life (High Temp.)	GB /T 2423 . 2 - 89 Temp: 80°C; Time: 24 hours	After 2 Hours Recovery 1. No Visual Damage 2. Frequency Tol.<= 5%
R1	RoHS	With Reference to IEC 62321:2008 with flow chart	Directive RoHS 2011/65/EU
R2	PFOS	With Reference to USA EPA 3540C:1996 by LC/MS	Directive RoHS 2006/122/EC
R3	PFOA	With Reference to USA EPA 3540C:1996 by LC/MS	Directive RoHS 2006/122/EC

Product Number: ZCD0868-10W13008NM

Product Name:Lora Fiberglass Antenna

4. Antenna - S Parameter Test Data



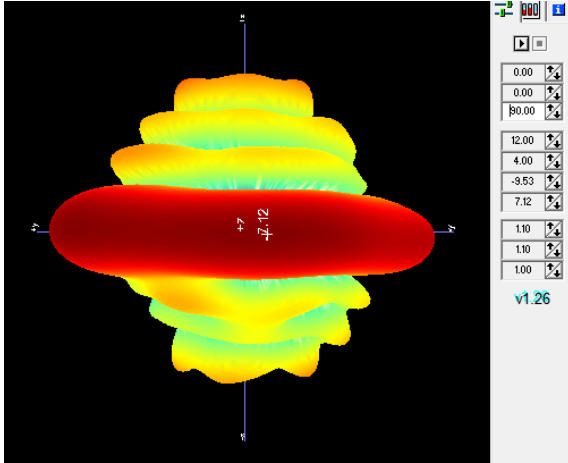
频率	增益 (dBi)	效率
858MHz	7.48	70.28%
859MHz	7.50	69.91%
860MHz	7.50	69.06%
861MHz	7.49	68.30%
862MHz	7.48	67.47%
863MHz	7.48	66.90%
864MHz	7.51	66.83%
865MHz	7.55	67.03%
866MHz	7.61	66.19%
867MHz	7.70	67.14%
868MHz	7.83	68.67%
869MHz	7.98	70.46%
870MHz	8.11	72.24%
871MHz	8.23	73.80%
872MHz	8.32	74.94%
873MHz	8.37	75.45%
874MHz	8.35	74.92%
875MHz	8.27	73.47%
876MHz	8.16	70.78%
877MHz	8.04	68.71%
878MHz	7.93	67.00%

Product Number: ZCD0868-10W13008NM

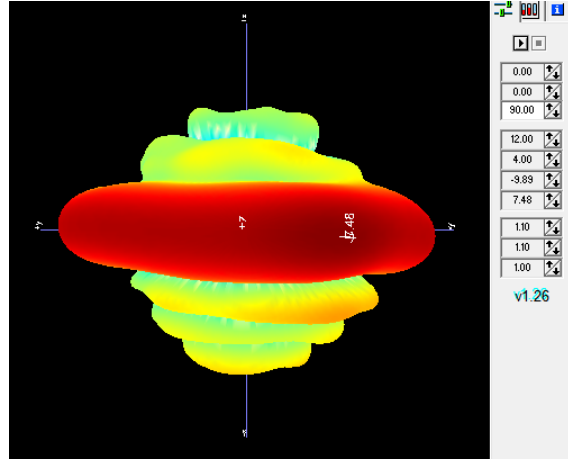
Product Name:Lora Fiberglass Antenna

5. Antenna - Radiation Pattern Test Data

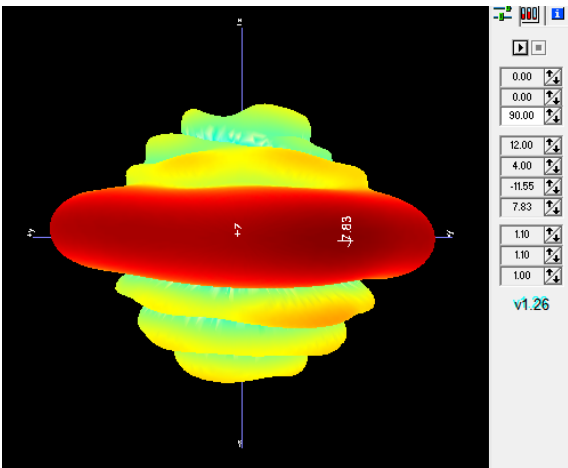
See attached files



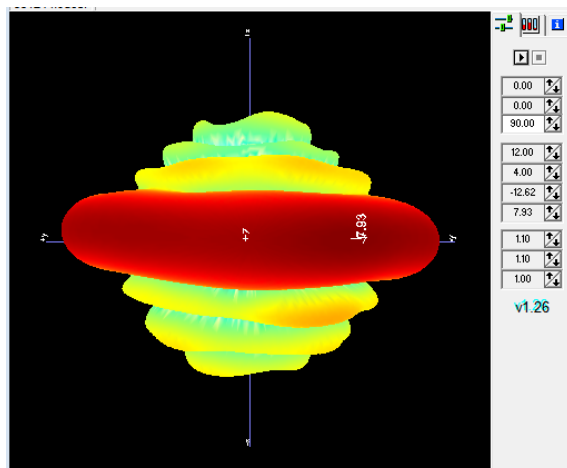
857Mhz



860Mhz



868Mhz

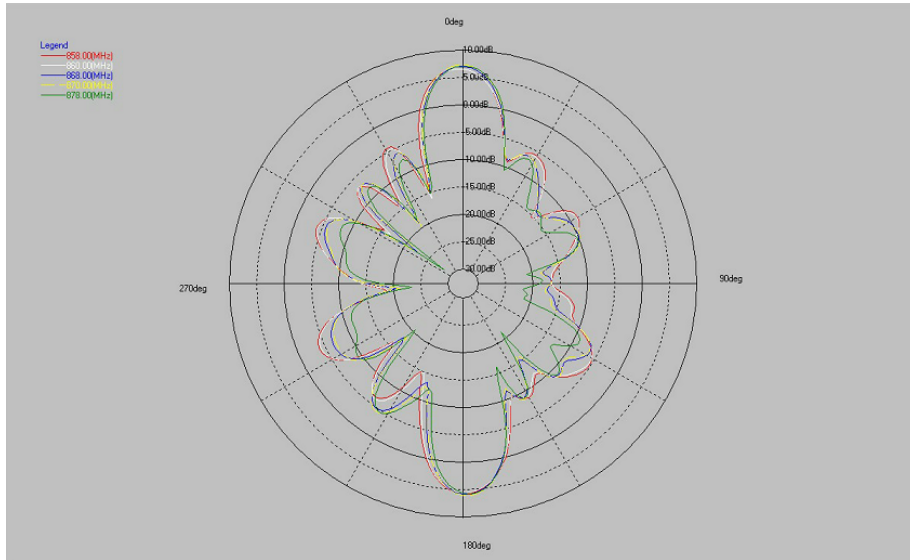


878Mhz

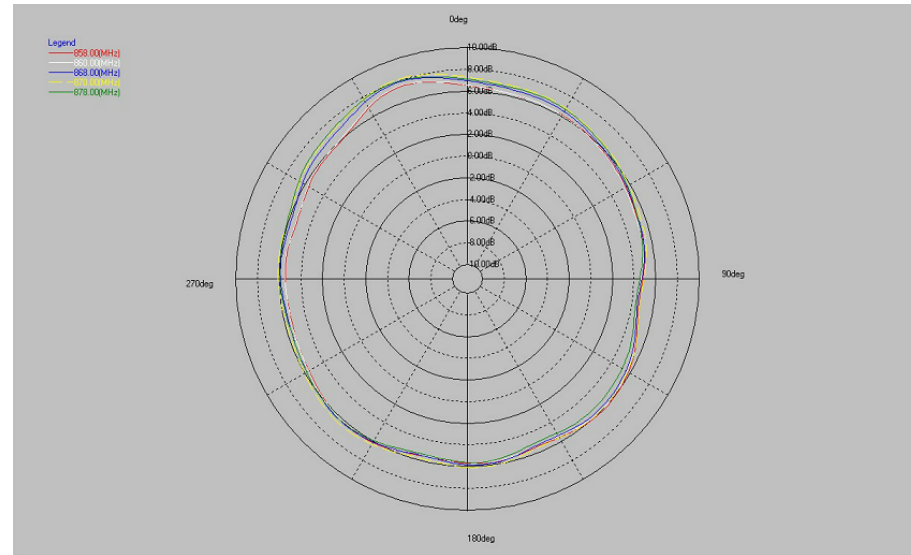
7. Mechanical Drawing See attached files

7. Material Description

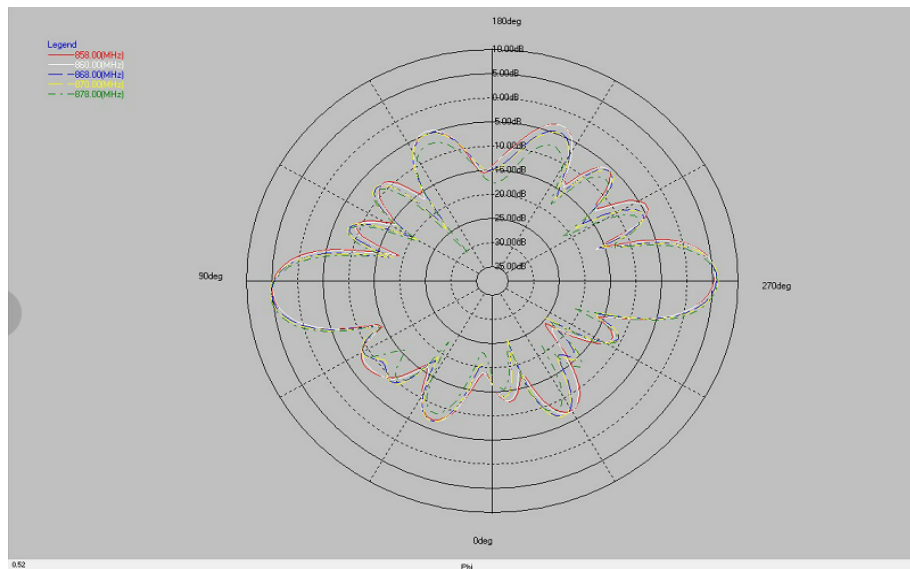
See attached files



PIN=0



PIN=90



THETA=90

6. Mechanical Drawing

See attached files

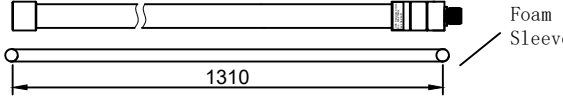
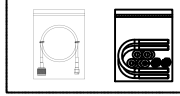
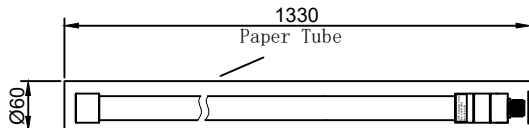
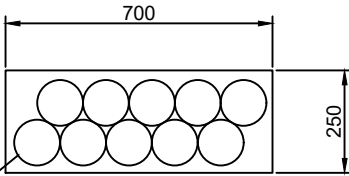
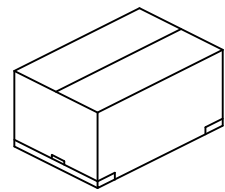
產品包裝規範

PACKING CRITERION

★★★★☆

Date: 2021.04.20

Page: 1 of 1

Part Number : ZCD0868-10W13008NM	Revision : A
Name: Lora Fiberglass Antenna	Customer : ALL
<p>1 . Assembly fitting</p> <div style="display: flex; justify-content: space-around; align-items: flex-start;"> <div style="text-align: center;">  <p>1310</p> <p>Foam Sleeve</p> </div> <div style="text-align: center;">  <p>U-shaped holder, 1mr200 wire transfer, the bubble bag wrapped and then loaded into the carton</p> </div> </div> <p>2 . Antenna feeding tube</p> <div style="text-align: center;">  <p>1330</p> <p>Paper Tube</p> <p>Ø60</p> </div> <p>3.Encasement</p> <div style="text-align: center;">  <p>700</p> <p>250</p> <p>Paper Tube</p> <p>(This is the side wheat. CARTON Length of1500mm) 30PCS/CARTON</p> </div> <p>4.Seal the box</p> <p style="text-align: center;">Glue Paper Seal for outer box</p> <div style="text-align: center;">  </div> <p style="text-align: right; margin-top: 20px;">UNITS: mm</p>	

APPROVED BY: _____ CHECKED BY: _____ DESIDNED BY: HC