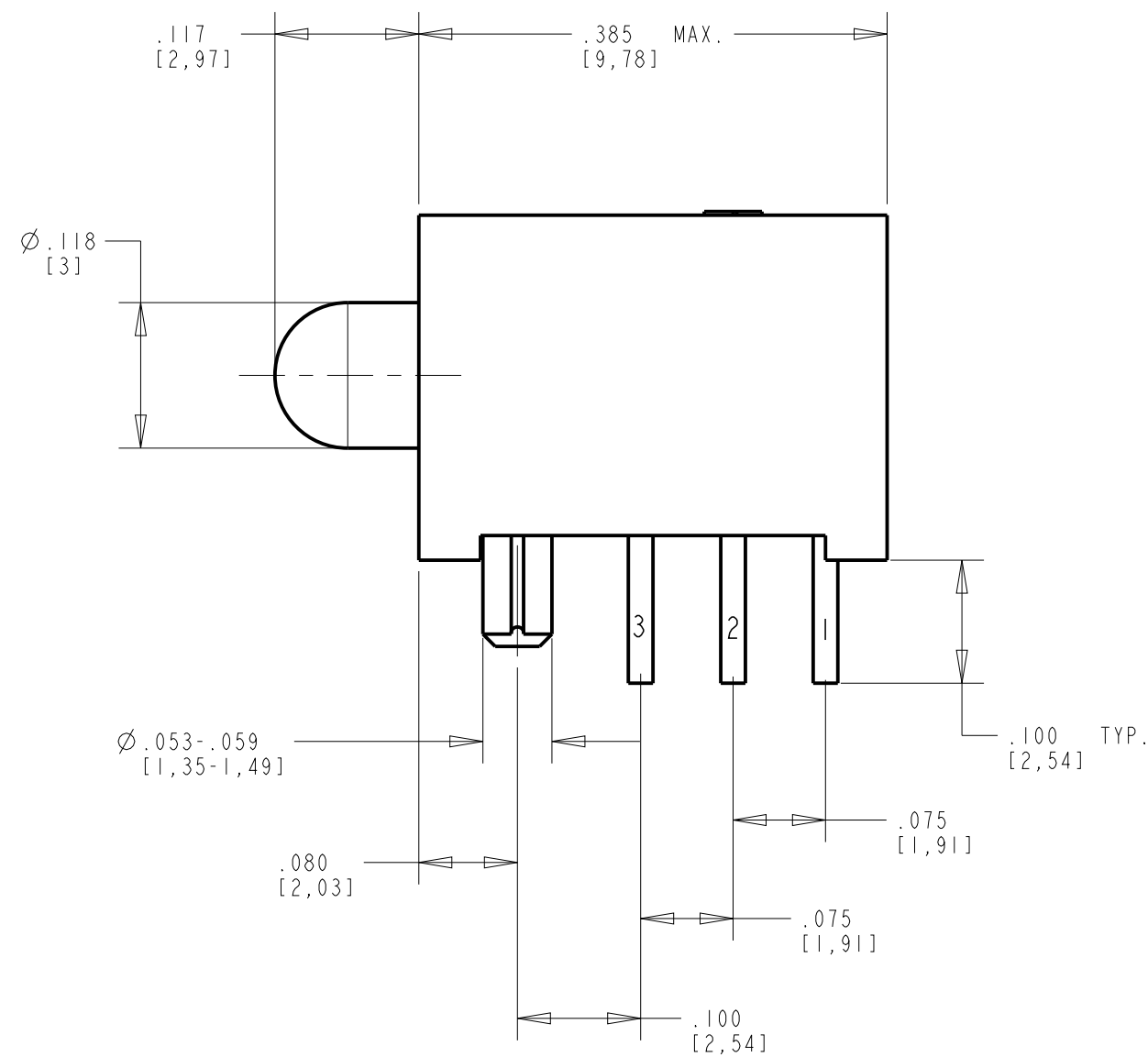
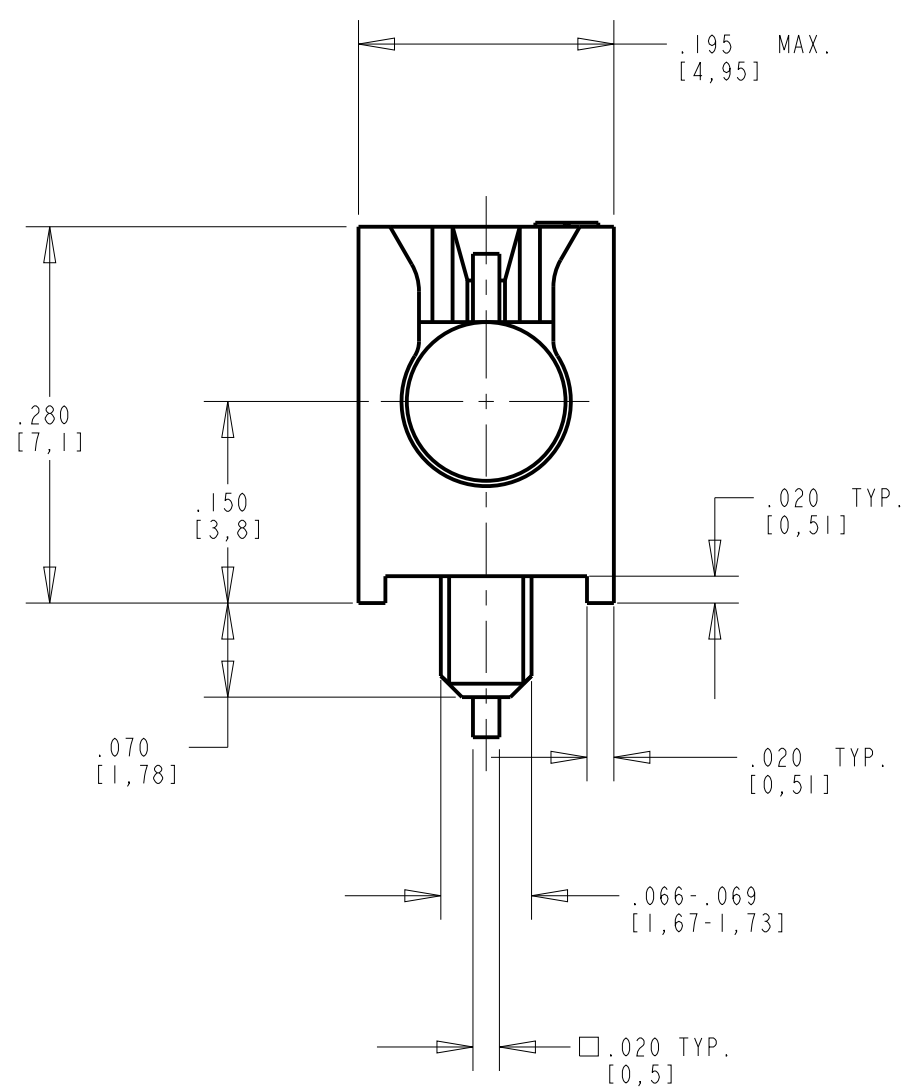


REV	REVISIONS	DRN	APP	DATE
A	NEW RELEASE	JGL	NO	11/03/2020

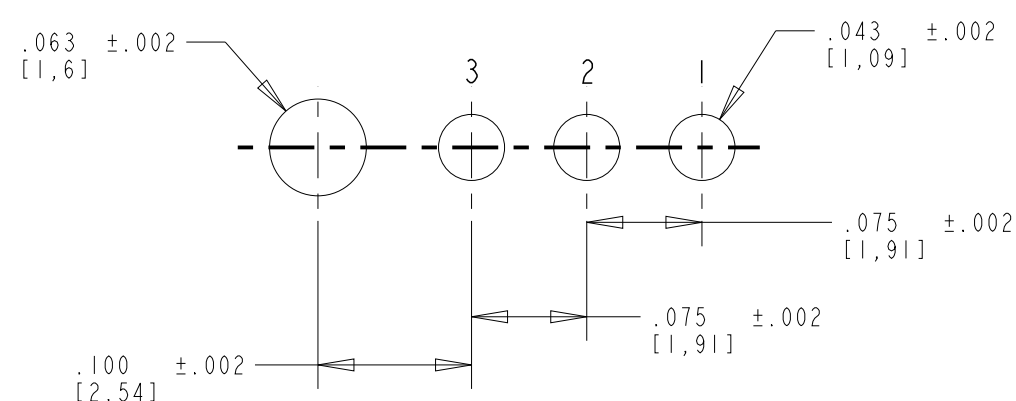
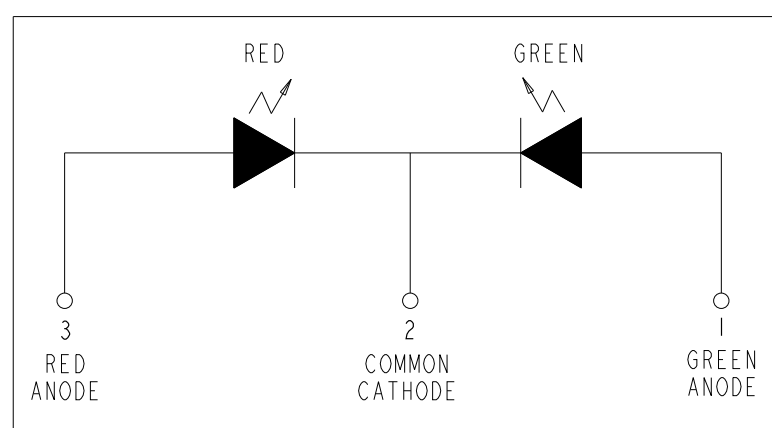


ABSOLUTE MAXIMUM RATINGS AT TA=25 C			
PARAMETER	GREEN	RED	UNIT
POWER DISSIPATION	100	100	mW
PEAK FORWARD CURRENT (DUTY CYCLE < 1/10, PULSE WIDTH < 10ms)	120	120	mA
DC FORWARD CURRENT	30	30	mA
OPERATING TEMPERATURE RANGE	-30° C TO +85° C		
STORAGE TEMPERATURE RANGE	-40° C TO +100° C		
LEAD SOLDERING TEMPERATURE [2.0mm(.079") FROM BODY]	260° C FOR 5 SECONDS MAX.		

ELECTRICAL/OPTICAL CHARACTERISTICS AT TA=25 C							
PARAMETER	SYMBOL	COLOR	MIN.	TYP.	MAX.	UNIT	TEST CONDITION
RADIANT INTENSITY	I <sub>v</sub>	RED	12.6	19	100	mc d	IF=20mA
		GREEN	12.6	19	100	mc d	
VIEWING ANGLE	2θ <sub>1/2</sub>	RED		75		deg	
		GREEN		75		deg	
PEAK EMISSION WAVELENGTH	λ <sub>p</sub>	RED		630		nm	
		GREEN		565		nm	
DOMINANT WAVELENGTH	λ <sub>D</sub>	RED	615	625	634	nm	
		GREEN	565	573	578	nm	
SPECTRAL LINE HALF-WIDTH	Δλ	RED		40		nm	
		GREEN		30		nm	
FORWARD VOLTAGE	V <sub>F</sub>	RED		2.0	2.6	V	IF=20mA
		GREEN		2.1	2.6	V	
REVERSE CURRENT	I <sub>R</sub>	RED			100	μA	VR=5V
		GREEN			100	μA	

NOTES:

- DIALIGHT P/N: 551-3508-801NF  
PRODUCT P/N WITH "F" SUFFIX ENDING IS RoHS COMPLIANT.
- LEADS ARE MATTE TIN MILD STEEL.
- LEADS TO FIT INTO HOLES SPACED AS PER PATTERN.



RECOMMENDED PC BOARD HOLE PATTERN

THIS DRAWING AND THE CONTENTS HEREIN ARE CONFIDENTIAL AND THE SOLE PROPERTY OF DIALIGHT CORP. REPRODUCTION OF THIS DRAWING OR CONSTRUCTION OF ANY PARTS WITHIN THIS DRAWING ARE FORBIDDEN WITHOUT THE WRITTEN CONSENT OF DIALIGHT CORP.		
DIALIGHT CORP. INTERNAL REFERENCE ONLY - 3D MODEL: 5513508801NF-A-3		
SCALE: 7.000	DRAWING NUMBER	REV
ALL DIM'S IN: INCHES (MM)	C-18491	A
TOLERANCES: UNLESS OTHERWISE SPECIFIED	TITLE	
FRACTIONS: ±1/64	3mm BI-COLOR CBI 3 LEADED R/G	
DECIMALS (.XX): ±.01	MATERIAL	
DECIMALS (.XXX): ±.005		
DECIMALS (.XXXX): ±.0005		
ANGLES: ±1°		
FINISH	Dialight	
FSCM 83330	1501 ROUTE 34 SOUTH FARMINGDALE, NJ 07727 (732) 919-3119 www.dialight.com	
SHEET 1 OF 1	FAMILY TABLE:	