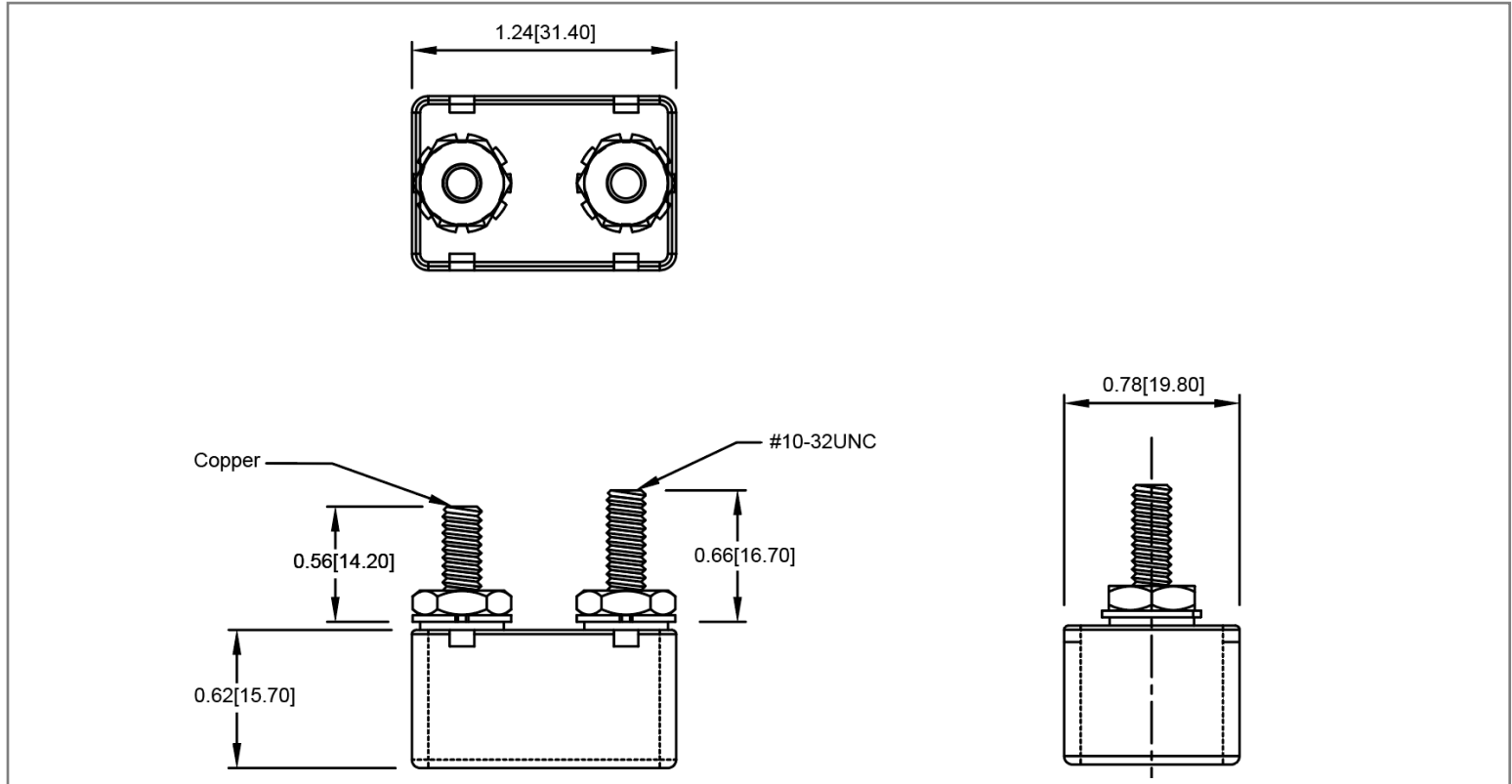


Mechanical Dimensions: Inches [mm]



Part Numbers Information

| Optifuse P/N | Current |
|--------------|---------|
| ACB-24-N-10A | 10A |
| ACB-24-N-15A | 15A |
| ACB-24-N-20A | 20A |
| ACB-24-N-25A | 25A |
| ACB-24-N-30A | 30A |
| ACB-24-N-40A | 40A |
| ACB-24-N-50A | 50A |

Time vs. Percent of Rated Current

| % of Rated Current | Min Trip Time | Max Trip Time |
|--------------------|---------------|---------------|
| 100% | 30m | - |
| 135% | - | 30m |
| 200% | - | 1m |

Electrical Specifications

| | |
|------------------------------|---------------------|
| Voltage | 24VDC |
| Reset Type | Type I - Auto Reset |
| Operation Temperature | -40° F ~ 175° F |
| Compliances | SAE J553 |

Material Specification

| | |
|--------------------------------|------------------------------------|
| Body Material | Plated Steel |
| Terminals Material | Battery – Copper, Auxiliary – Zinc |
| Terminals Configuration | #10-32 Stud |
| Mounting Type | Stud Mounted |

Rev **Date of issue** **Revision Notes**

Designed **Approved**

| | | | | |
|---|------------|-----------------|----|----|
| A | 06-25-2020 | Initial Drawing | RC | OF |
|---|------------|-----------------|----|----|