



**Electrical Specifications**

**Center Frequency:** 1602 MHz  
**Bandwidth:** Fo ± 9 MHz  
**Pass Band:** 1593-1611 MHz  
**Insertion Loss in Bandwidth:** 3.0 dB Max  
**Ripple in Bandwidth:** 1.0 dB Max  
**Return Loss:** 15 dB Min  
**Group Delay Variation in Bandwidth:** 3 ns  
**Attenuation:** >50 dB @ 1560 MHz  
                   >45 dB @ 1644 MHz  
**In/Out Impedance:** 50 Ω

**Mechanical**

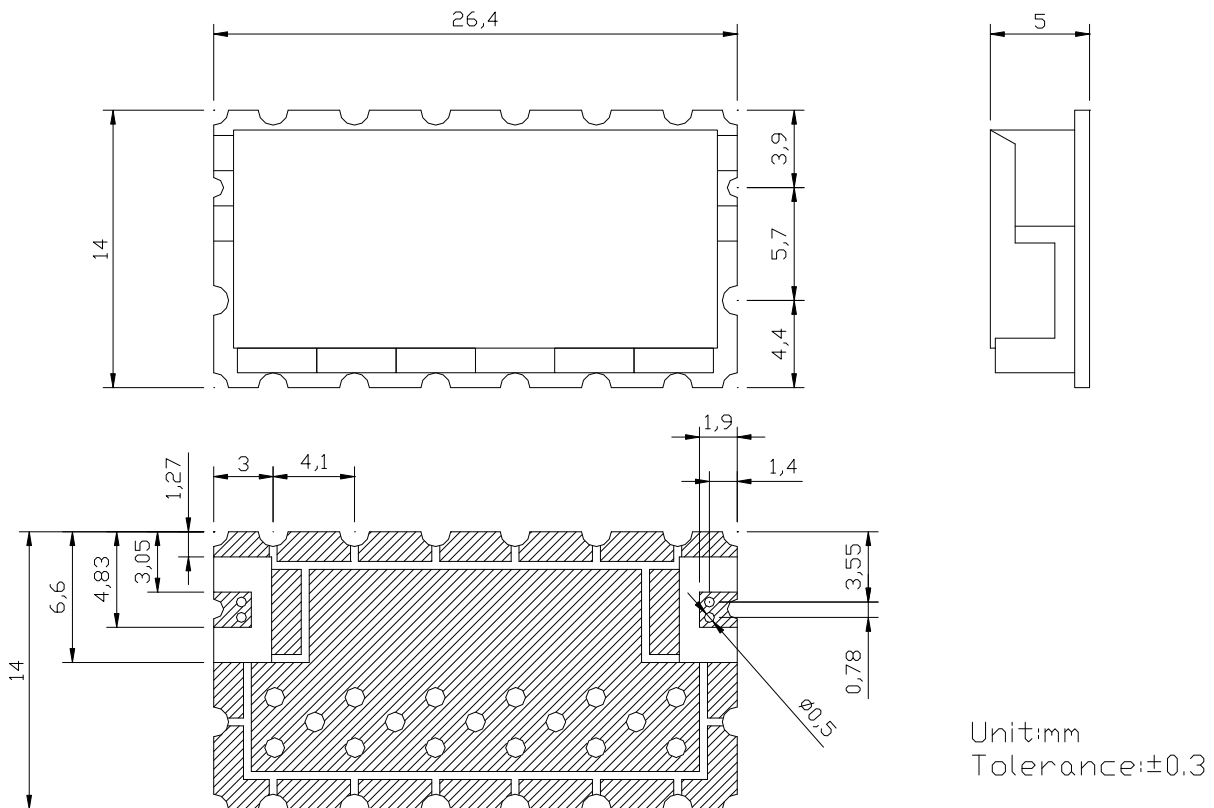
**Mounting Method:** SMT  
**Dimensions:** 26.4 x 14 x 5 mm

**Environmental**

**Operating Temperature:** -20 to +70° C  
**Storage Temperature:** -40 to +85° C  
**Shock:** 20 G. 11 ms  
**Vibration:** 20 G. 5 to 200 MHz

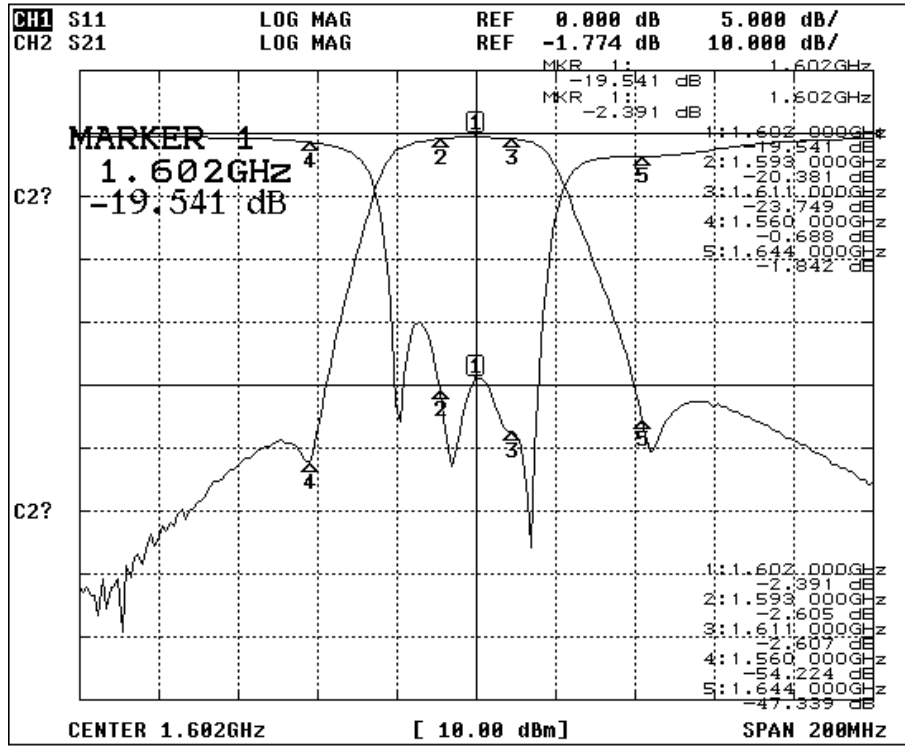
**This product is RoHs compliant.**

**Outline Drawing:**





### Response Plot:



ACTIVATE MARKER

MARKER 1

MARKER 2

MARKER 3

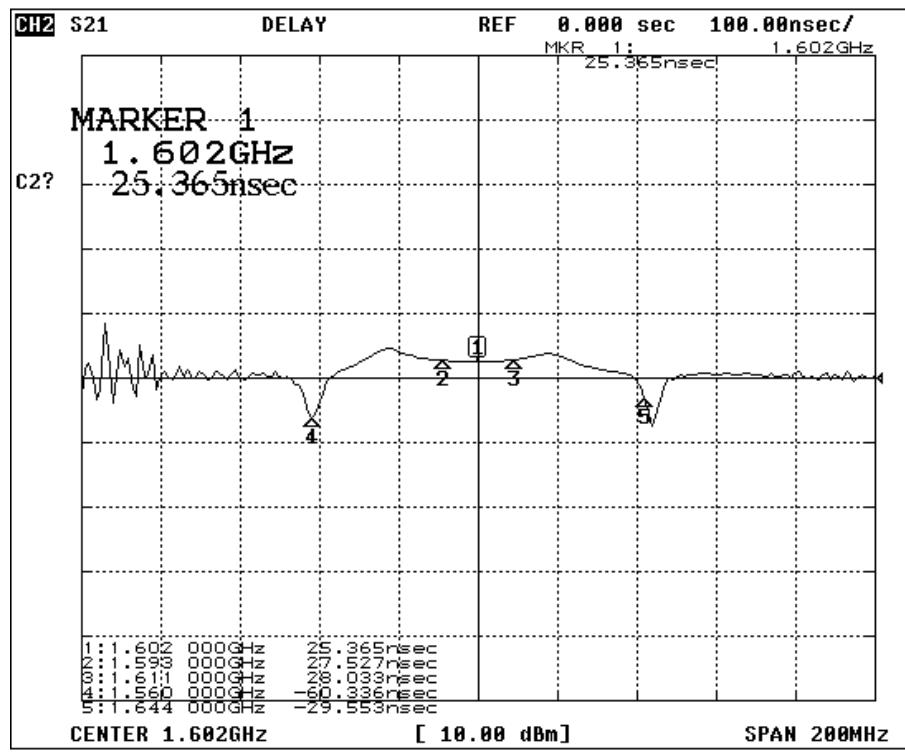
MARKER 4

MARKER 5

ACTIVATE MKR OFF

Return

More 1/2



BITMAP FILE

SAVE TO DISK

COMPRESSION ON OFF

TRUNCATE ON OFF

Return