



Features

- Available with solid-state or gas tube overvoltage protection technology
- Optional heat coil or self-resetting PTC sneak current protection
- Polarized module with latching mechanism prevents incorrect and accidental insertion and removal



This series is currently available but not recommended for new designs.

- Fail-Short design
- cULus Listed

BOURNS®

4-Pin Protector Modules

Bourns® 4-Pin Protector Modules are designed for use with the MPC Central Office Connector Block (QCM486-series) and QTPET Protected Entrance Terminals. These modules are available with solid-state or gas tube overvoltage protection.

The 4-pin modules are designed to short to ground (also known as a “Fail-Short event”) when an electrical surge exceeds the capability of the SSOVP device or gas tube. This feature provides protection for personnel and equipment until the surge condition has cleared. Protector modules that “Fail-Short” must be replaced after the fault has been corrected.

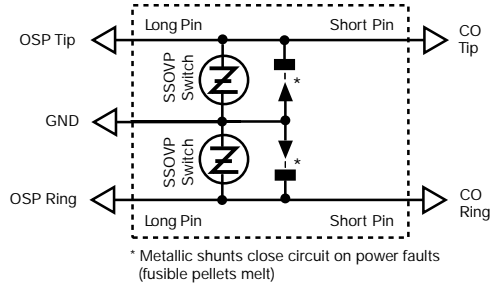
The 4-pin modules are also available with an option for heat coil or Positive Temperature Coefficient (PTC) sneak current protection. This feature protects digital equipment line cards against overheating caused by prolonged currents – referred to as sneak currents. Sneak currents are caused by induction on telephone lines caused by fault currents, overloads or unbalanced loads on nearby power lines. They may also be caused by direct contact with low-voltage power lines. The PTC is self-resetting; the heat coil operates by permanently shorting to ground and must be replaced after the fault is cleared.

All 4-pin modules are equipped with a latching mechanism that will retain the modules when installed in the detent position or when fully inserted. In the detent position, the equipment side of the circuit is disconnected from the outside plant pair. The latch must be depressed to move the modules, thus ensuring that protector modules will not fall out (leaving the outside plant pair unprotected) or become accidentally inserted. In addition, the modules are designed so they can only be inserted in the correct orientation.

4-Pin Solid-State Protector Modules

QMP11A5

A solid-state overvoltage protector (SSOVP) module to provide voltage protection to wiring and equipment. The module case is brown with a white “S” printed on the handle for visual identification.

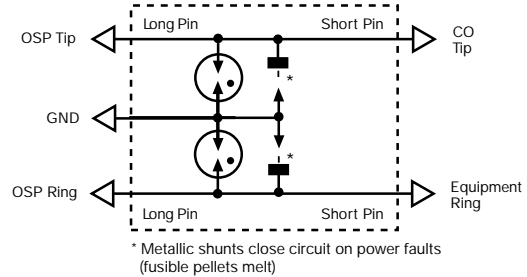


QMP11-Type Protector Module

4-Pin Gas Tube Protector Modules

QMP6A5

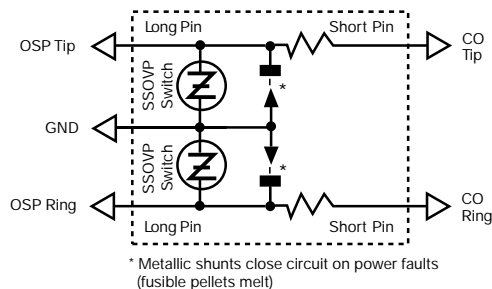
A gas tube overvoltage protector module to provide voltage protection to wiring and equipment. The module case is beige with no marking on the handle.



QMP6A5-Type Protector Module

QMP12A4P (PTC)

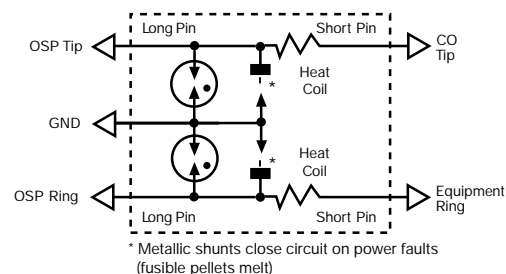
An SSOVP module with a self-resetting Positive Temperature Coefficient (PTC) is designed to provide voltage and sneak current protection to wiring and equipment. The QMP12A4P module case is black with a blue “S” printed on the handle for visual identification.



QMP12-Type Protector Module

QMP6A4 (Heat Coil)

A gas tube overvoltage protector module with heat coil to provide voltage and sneak current protection to wiring and equipment. The module case is beige with a black stripe on the handle for visual identification.



QMP6A4-Type Protector Module



WARNING Cancer and Reproductive Harm - www.P65Warnings.ca.gov

Specifications are subject to change without notice.

Users should verify actual device performance in their specific applications.

The products described herein and this document are subject to specific legal disclaimers as set forth on the last page of this document, and at www.bourns.com/docs/legal/disclaimer.pdf.

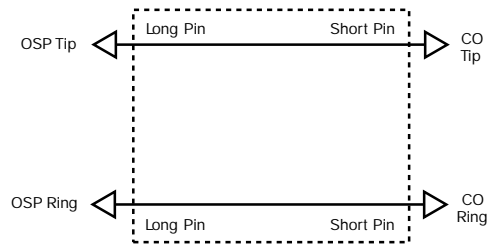
4-Pin Protector Modules



4-Pin Unprotected Modules

QMP5A5

A module to provide a direct feed/disconnect option between an outside plant and equipment pair. The module case is gray with no marking on the handle.



QMP5A5-Type Module

Specifications

Note: All SSOVP protector modules are CSA and UL Listed for subscriber premises applications.

	Solid-State Module	Gas Tube Module
DC Limiting Voltage.....	345 V max. @ 2000 V/sec	300-475 V @ 2000 V/sec
Impulse Breakdown (V _{imp})	390 V max. @ 100 V/μsec	700 V max. @ 100 V/μsec
Insulation Resistance (I _R) @ 50 to 200 VDC	400 V max. @ 1000 V/μsec	875 V max. @ 1000 V/μsec
	100 megohms min.....	1000 megohms min.
DC Holdover/Impulse Reset (-20 °C to +65 °C)	20 msec max.....	20 msec max.
	@ 260 mA ±52 VDC	@ 260 mA ±52 VDC
	@ 200 mA ±135 VDC	@ 200 mA ±135 VDC
Impulse Life (-20 °C to +65 °C)		
Insulation Resistance	100 megohms min. @ 50 VDC	1000 megohms @ 50 VDC
Limiting Voltage during Surge.....	< 400 V.....	< 1000 V
Impulse Reset / DC Holdover.....	< 30 ms	< 30 ms
±10 A, 10/1000 μsec	Unlimited	1500 surges
±100 A, 10/1000 μsec	Unlimited	100 surges
±300 A, 10/1000 μsec	Fail-Short.....	50 surges
±2,000 A, 10/250 μsec	Fail-Short.....	5 surges
AC Life, 60 Hz		
10 A _{rms} for 1 second.....	5 surges, no fail.....	5 surges, no fail
1 A _{rms} for 1 second.....	60 surges, no fail.....	60 surges, no fail
0.5 A _{rms} for 30 seconds.....	1 surge, no fail.....	1 surge, no fail
End-of-Life.....	100 V/μs; Breakdown < 1000 V.....	100 V/μs; Breakdown < 1000 V
±10 A, 10/1000 μsec	3000 surges	3000 surges
±100 A, 10/1000 μsec	300 surges	300 surges
±300 A, 10/1000 μsec	100 surges	100 surges
±10,000 A, 8/20 μsec	Fail-short	1 surge
Capacitance.....	75 pF max.....	7 pF max.
Sneak Current Protection	PTC, 9.5 ohm	Heat Coil, 4 ohm
Non-Operate.....	3 hr. min. @ 150 mA.....	3 hr. min. @ 350 mA
Operate.....	210 sec. max. @ 355 mA.....	210 sec. max. @ 540 mA
Resistance.....	9.3 ohms ±10 %	4 ohms max.
Resistance Imbalance	0.5 ohms max.....	0.5 ohms max.
Safety		
4 A _{rms} , 15 min.....	Fail-Short.....	Fail-Short
10 A _{rms} , 15 min.....	Fail-Short.....	Fail-Short
30 A _{rms} , 15 min.....	Fail-Short.....	Fail-Short
60 A _{rms} , 3 sec.....	Fail-Short.....	Fail-Short
120 A _{rms} , 0.6 sec.....	Fail-Short.....	Does not cause a fire hazard
350 A _{rms} , 0.4 sec.....	Fail-Short.....	Does not cause a fire hazard
Storage Temperature.....	-40 °C to +65 °C.....	-40 °C to +65 °C

Note: All values at 20 °C except where noted. Nominal voltages provided, except where noted.

Specifications are subject to change without notice.

Users should verify actual device performance in their specific applications.

The products described herein and this document are subject to specific legal disclaimers as set forth on the last page of this document, and at www.bourns.com/docs/legal/disclaimer.pdf.

4-Pin Protector Modules

BOURNS®

Packaging Specifications

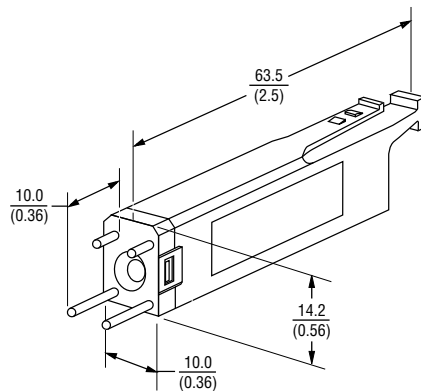
Standard Packaging	100 modules
Dimensions (H x W x D)	10 x 11 x 28 cm (3.75 x 4.5 x 11 in.)
Shipping Weight	
QMP5A5	1.1 kg (2.5 lb.)
All Other Models	1.6 kg (3.5 lb.)

How to Order

Product Code	Part Number	Description	Module Color	Handle Marking
QMP11A5	A0335242	Solid-State, 300 V	Brown	White "S"
QMP12A4P	QMP12A4P	Solid-State, 300 V, PTC	Black	Blue "S"
QMP6A5	A0260462	Gas Tube, 400 V	Beige	None
QMP6A4	A0264184	Gas Tube, 400 V, Heat Coil	Beige	Black Stripe
QMP5A5	A0260461	Unprotected	Gray	None

Note: Order by Part Number.

Product Dimensions



DIMENSIONS: $\frac{\text{MM}}{\text{(INCHES)}}$

BOURNS®

Asia-Pacific: Tel: +886-2 2562-4117 • Email: asiacus@bourns.com

EMEA: Tel: +36 88 885 877 • Email: eurocus@bourns.com

The Americas: Tel: +1-951 781-5500 • Email: americus@bourns.com

www.bourns.com

REV. H 03/23

Specifications are subject to change without notice.

Users should verify actual device performance in their specific applications.

The products described herein and this document are subject to specific legal disclaimers as set forth on the last page of this document, and at www.bourns.com/docs/legal/disclaimer.pdf.

This legal disclaimer applies to purchasers and users of Bourns® products manufactured by or on behalf of Bourns, Inc. and its affiliates (collectively, “Bourns”).

Unless otherwise expressly indicated in writing, Bourns® products and data sheets relating thereto are subject to change without notice. Users should check for and obtain the latest relevant information and verify that such information is current and complete before placing orders for Bourns® products.

The characteristics and parameters of a Bourns® product set forth in its data sheet are based on laboratory conditions, and statements regarding the suitability of products for certain types of applications are based on Bourns’ knowledge of typical requirements in generic applications. The characteristics and parameters of a Bourns® product in a user application may vary from the data sheet characteristics and parameters due to (i) the combination of the Bourns® product with other components in the user’s application, or (ii) the environment of the user application itself. The characteristics and parameters of a Bourns® product also can and do vary in different applications and actual performance may vary over time. Users should always verify the actual performance of the Bourns® product in their specific devices and applications, and make their own independent judgments regarding the amount of additional test margin to design into their device or application to compensate for differences between laboratory and real world conditions.

Unless Bourns has explicitly designated an individual Bourns® product as meeting the requirements of a particular industry standard (e.g., ISO/TS 16949) or a particular qualification (e.g., UL listed or recognized), Bourns is not responsible for any failure of an individual Bourns® product to meet the requirements of such industry standard or particular qualification. Users of Bourns® products are responsible for ensuring compliance with safety-related requirements and standards applicable to their devices or applications.

Bourns® products are not recommended, authorized or intended for use in nuclear, lifesaving, life-critical or life-sustaining applications, nor in any other applications where failure or malfunction may result in personal injury, death, or severe property or environmental damage. Unless expressly and specifically approved in writing by two authorized Bourns representatives on a case-by-case basis, use of any Bourns® products in such unauthorized applications might not be safe and thus is at the user’s sole risk. Life-critical applications include devices identified by the U.S. Food and Drug Administration as Class III devices and generally equivalent classifications outside of the United States.

Bourns expressly identifies those Bourns® standard products that are suitable for use in automotive applications on such products’ data sheets in the section entitled “Applications.” Unless expressly and specifically approved in writing by two authorized Bourns representatives on a case-by-case basis, use of any other Bourns® standard products in an automotive application might not be safe and thus is not recommended, authorized or intended and is at the user’s sole risk. If Bourns expressly identifies a sub-category of automotive application in the data sheet for its standard products (such as infotainment or lighting), such identification means that Bourns has reviewed its standard product and has determined that if such Bourns® standard product is considered for potential use in automotive applications, it should only be used in such sub-category of automotive applications. Any reference to Bourns® standard product in the data sheet as compliant with the AEC-Q standard or “automotive grade” does not by itself mean that Bourns has approved such product for use in an automotive application.

Bourns® standard products are not tested to comply with United States Federal Aviation Administration standards generally or any other generally equivalent governmental organization standard applicable to products designed or manufactured for use in aircraft or space applications. Bourns expressly identifies Bourns® standard products that are suitable for use in aircraft or space applications on such products’ data sheets in the section entitled “Applications.” Unless expressly and specifically approved in writing by two authorized Bourns representatives on a case-by-case basis, use of any other Bourns® standard product in an aircraft or space application might not be safe and thus is not recommended, authorized or intended and is at the user’s sole risk.

The use and level of testing applicable to Bourns® custom products shall be negotiated on a case-by-case basis by Bourns and the user for which such Bourns® custom products are specially designed. Absent a written agreement between Bourns and the user regarding the use and level of such testing, the above provisions applicable to Bourns® standard products shall also apply to such Bourns® custom products.

Users shall not sell, transfer, export or re-export any Bourns® products or technology for use in activities which involve the design, development, production, use or stockpiling of nuclear, chemical or biological weapons or missiles, nor shall they use Bourns® products or technology in any facility which engages in activities relating to such devices. The foregoing restrictions apply to all uses and applications that violate national or international prohibitions, including embargos or international regulations. Further, Bourns® products and Bourns technology and technical data may not under any circumstance be exported or re-exported to countries subject to international sanctions or embargoes. Bourns® products may not, without prior authorization from Bourns and/or the U.S. Government, be resold, transferred, or re-exported to any party not eligible to receive U.S. commodities, software, and technical data.

To the maximum extent permitted by applicable law, Bourns disclaims (i) any and all liability for special, punitive, consequential, incidental or indirect damages or lost revenues or lost profits, and (ii) any and all implied warranties, including implied warranties of fitness for particular purpose, non-infringement and merchantability.

For your convenience, copies of this Legal Disclaimer Notice with German, Spanish, Japanese, Traditional Chinese and Simplified Chinese bilingual versions are available at:

Web Page: <http://www.bourns.com/legal/disclaimers-terms-and-policies>

PDF: <http://www.bourns.com/docs/Legal/disclaimer.pdf>