



PL303 Series 3mm LED Right Angle Holder

Features

- *Right Angle PCB Indicator
- *Dual Locating Pins provide stability during soldering
- *Stand-off prevents Flux entrapment
- *Housing Material Black Nylon UL94V-2
- *1 Red LED with Color Diffused Lens used
- *11.4mm from PCB to Center of LED
- *RoHS Compliant

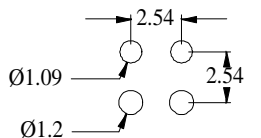
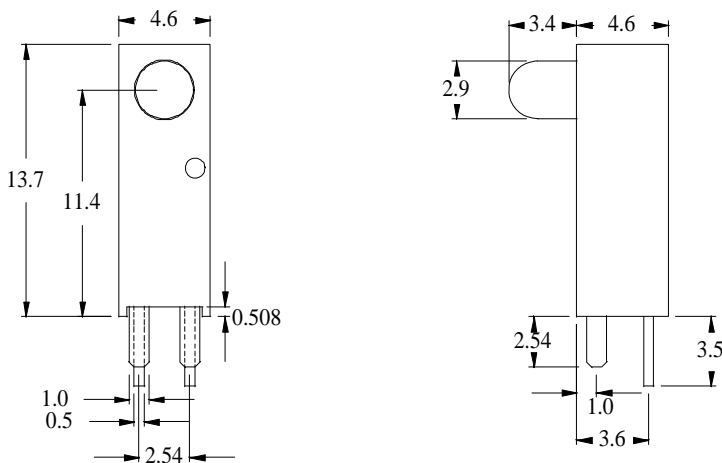
Absolute Maximum Ratings at T_A = 25°C

Power Dissipation.....	90mW
Reverse Voltage (<100 μA).....	5.0V
Max Forward Current.....	30mA
Peak Forward Current (1/10 Duty Cycle, 0.1ms Pulse Width).....	100mA
Operating Temperature Range.....	-25°C to +85°C
Storage Temperature Range.....	-40°C to +100°C
Soldering Temperature (1.6 mm below body).....	260°C for 5 seconds

Electrical & Optical Characteristics at T_A = 25°C

Part Number	Emitting Color	Chip Material	Peak Wave Length	Dominant Wave Length	Viewing Angle 2θ ½	Forward Voltage @20mA (V)		Luminous Intensity @20mA (mcd)	
						Typ	Max	Min	Typ
Color Diffused Lens			nm	nm	Deg				
PL303-1R24	Red	GaP	700	650	55°	2.1	3.0	1.3	3.0

All dimensions are in **Millimeters**. Tolerance is ± 0.25mm unless otherwise specified.



Recommended PCB Layout