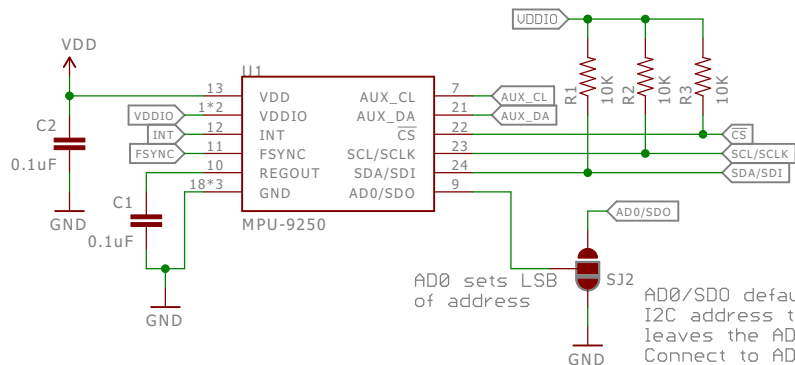


VDD 2.4 to 3.6 V
 VDDIO 1.71 to VDD

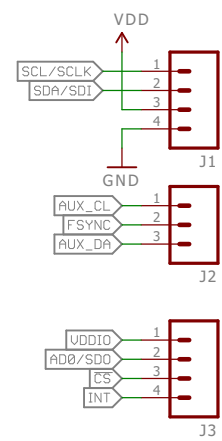


Set VDD and VDDIO equal by default



AD0 sets LSB of address

AD0/SDO defaults to 0V. This sets the I2C address to 0b1101000 (0x68) and leaves the AD0/SDO PTH disconnected. Connect to AD0/SD0 PTH to change externally. Pull high to set address to 0b1101001 (0x69).



Released under the Creative Commons Attribution Share-Alike 4.0 License https://creativecommons.org/licenses/by-sa/4.0/		⊗	⊙
TITLE: SparkFun_MPU-9250_Breakout			
Design by: Brent Wilkins			REV: v10
Date: 7/20/2016 11:39 AM			Sheet: 1/1