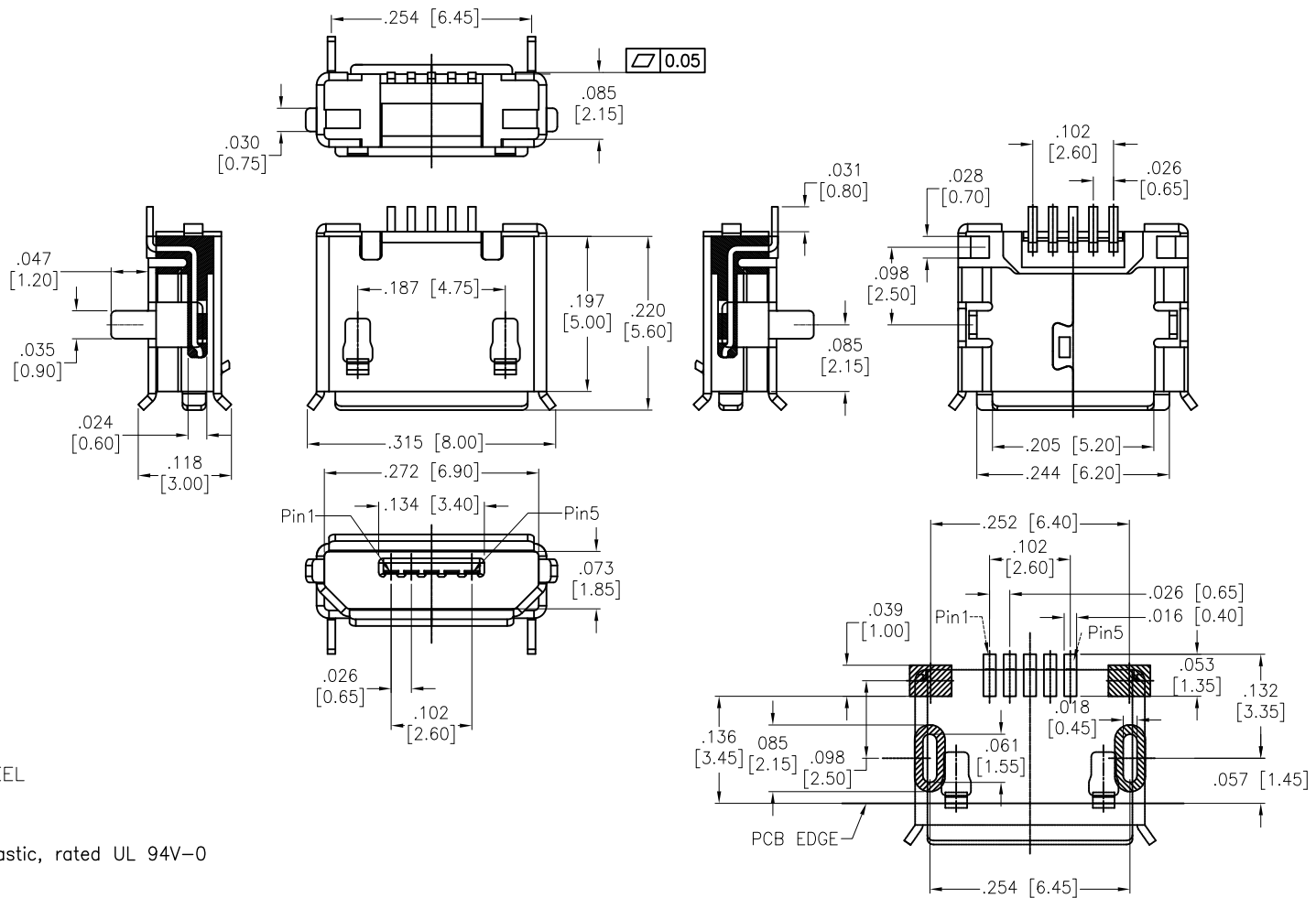


APPROVED: _____
 DATE: _____ TITLE: _____

Rev	AWO #	Description	Date	Appr
-		RELEASED	1/11/17	



PACKAGED ON TAPE & REEL

SPECIFICATIONS:

Material:
 Insulator: Hi-Temp Thermoplastic, rated UL 94V-0
 Insulator color: Black
 Contacts: Copper Alloy
 Shell: Copper Alloy, Nickel plated
 Plating:
 Gold flash over Nickel underplate on contact area,
 Tin over Nickel underplate on solder tails
 Electrical:
 Current rating: 1 A max.
 Contact resistance: 50 mohms max.
 Insulation resistance: 100 Mohms min.
 Dielectric withstanding voltage: 100 VAC for 1 minute
 Temperature Rating:
 -30°C to +80°C
 Environmental:
 Lead free, RoHS compliant.



RECOMMENDED PCB LAYOUT

UNLESS OTHERWISE SPECIFIED ALL DIMENSIONS ARE INCHES [MM] TOLERANCES: EXCEPT AS NOTED		ADAM TECH 909 Rahway Avenue, Union, NJ 07083 Phone: 908-687-5000 Fax: 908-687-5710	
INCHES HOLES			
.X ± .10	Ø.X ± .10	TITLE MICRO USB, TYPE B, SINGLE PORT, SOCKET RIGHT ANGLE, SMT TYPE, NO PEG	
.XX ± .020	Ø.XX ± .015		
.XXX ± .015	Ø.XXX ± .010		
APPROVALS		DATE	
DRAWN AY		1/11/17	
CHECKED DH		1/11/17	
APPROVED		SIZE X	PART NO. MCR-B-S-RA-SMT-NP-CS6B-T/R
		REF: S00126T	SCALE: NTS SHEET 1 OF 1

6

5

4

3

2

1

6

5

4

3

2

1