

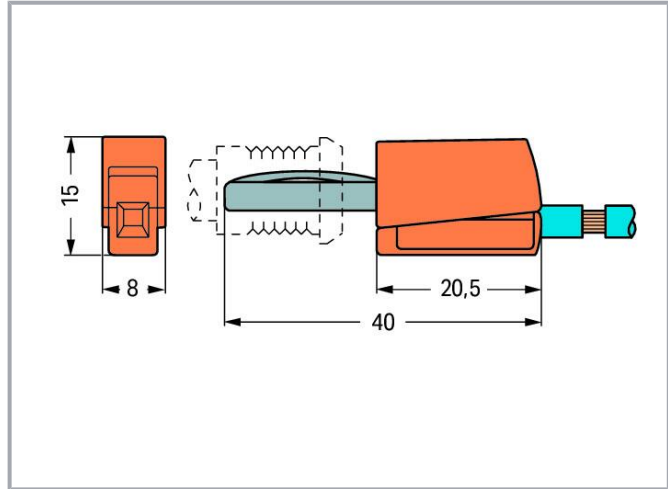
Data sheet | Item number: 215-411

Banana plug; for socket 4 mm Ø; 2,50 mm²; green

www.wago.com/215-411



Color: ■



Data

Technical data

Main product function	Testing accessories
Total number of potentials	1

Electrical data

Rated current	20 A
Test voltage	42 V

Connection data

Connection technology	CAGE CLAMP®
Strip length	9 ... 11 mm / 0.35 ... 0.43 inches
Connection points	1
Solid conductor	0.08 ... 2.5 mm ² / 28 ... 14 AWG
Fine-stranded conductor	0.08 ... 2.5 mm ² / 28 ... 14 AWG

Subject to changes. Please also observe the further product documentation!

WAGO GmbH & Co. KG
Hansastr. 27
32423 Minden
Phone: +49571 887-0 | Fax: +49571 887-169
Email: info.de@wago.com | Web: www.wago.com

Do you have any questions about our products?
We are always happy to take your call at +49 (571) 887-44222.



Physical data

Width	8 mm / 0.315 inches
Height	15 mm / 0.591 inches
Depth	40 mm / 1.575 inches

Material Data

Color	green
Fire load	0.04 MJ
Weight	3.9 g

Commercial data

Product Group	2 (Terminal Block Accessories)
eCl@ss 10.0	27-44-03-13
eCl@ss 9.0	27-44-03-13
ETIM 8.0	EC002255
ETIM 7.0	EC002255
PU (SPU)	50 pcs
Packaging type	box
Country of origin	DE
GTIN	4045454293505
Customs tariff number	85366990990

Environmental Product Compliance

CAS-No.	7439-92-1
REACH Candidate List Substance	Lead
RoHS Compliance Status	Compliant,With Exemption
RoHS Exemption	6(c)
SCIP notification number (Austria)	96026abb-e43e-446b-8476-fad52b8c8987
SCIP notification number (Belgium)	14f6b0a6-f106-4176-8cd7-ef5a2fd37f00
SCIP notification number (Bulgaria)	3b9dc1ec-f063-4d2a-aff-728e94056f97
SCIP notification number (Czech Republic)	e83e0467-b42f-4636-89e5-86c72494075e
SCIP notification number (Denmark)	cfc3d457-5c1e-43f8-b2f6-61633a66e952
SCIP notification number (Finland)	5c4479fb-3155-4b28-af58-41a3aefcb802
SCIP notification number (France)	c9919993-0618-442c-a68b-eb0178ba6795
SCIP notification number (Germany)	f22d61d1-462f-4eae-bae6-68ce4cc3b654

Subject to changes. Please also observe the further product documentation!

WAGO GmbH & Co. KG
 Hansastr. 27
 32423 Minden
 Phone: +49571 887-0 | Fax: +49571 887-169
 Email: info.de@wago.com | Web: www.wago.com

Do you have any questions about our products?
 We are always happy to take your call at +49 (571) 887-44222.



SCIP notification number (Hungary)	2ebcc17c-8039-4d29-8c9c-9ef6146a5691
SCIP notification number (Italy)	b437c9e0-25e3-4d32-8f0f-7e84443deb85
SCIP notification number (Netherlands)	516577f5-726d-4b5d-ad6a-2017f48c2bf8
SCIP notification number (Poland)	bc0fb5f3-2815-4d6b-94cb-ce3f5c930394
SCIP notification number (Romania)	e44725af-be33-42ad-adcc-281ed8d1e54d
SCIP notification number (Sweden)	7d7e5e04-844b-455d-9878-47963c20f28f

Downloads

Documentation

Bid Text

215-411 X81 - Datei	2019 Feb 19	xml 3.1 kB	Download
215-411 doc - Datei	2017 Sep 19	doc 25.6 kB	Download

CAD/CAE-Data

CAE data

EPLAN Data Portal 215-411	URL	Download
WSCAD Universe 215-411	URL	Download

Environmental Product Compliance

Compliance Search

Environmental Product Compliance 215-411 Banana plug; for socket 4 mm Ø; 2,50 mm ² ; green	URL	Download
--	-----	----------

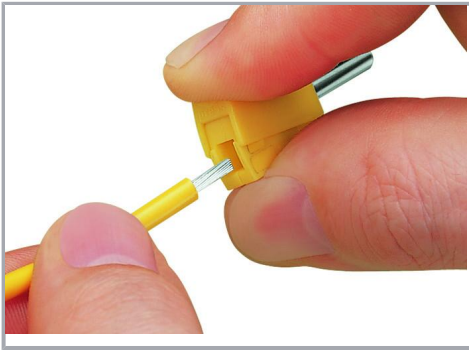
Installation Notes

Conductor termination

Subject to changes. Please also observe the further product documentation!

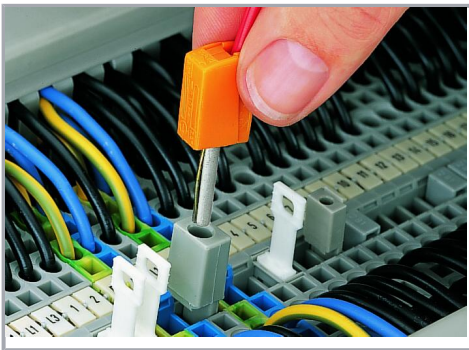
WAGO GmbH & Co. KG
 Hansastr. 27
 32423 Minden
 Phone: +49571 887-0 | Fax: +49571 887-169
 Email: info.de@wago.com | Web: www.wago.com

Do you have any questions about our products?
 We are always happy to take your call at +49 (571) 887-44222.



Conductor termination: Press button fully, insert stripped conductor into square entry and release.

Testing



Testing via banana plug.

Picture shows a test plug adapter (209-170).

Subject to changes. Please also observe the further product documentation!