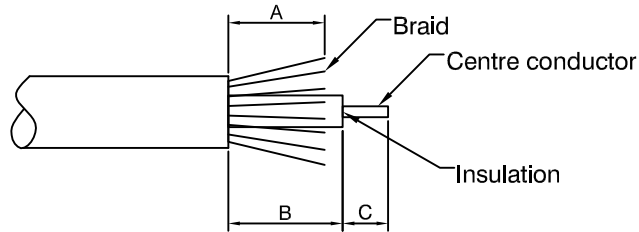


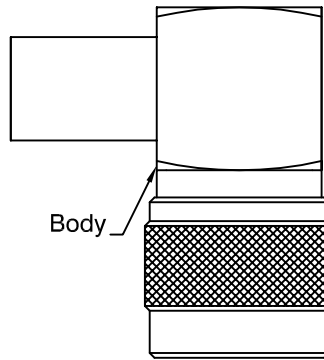
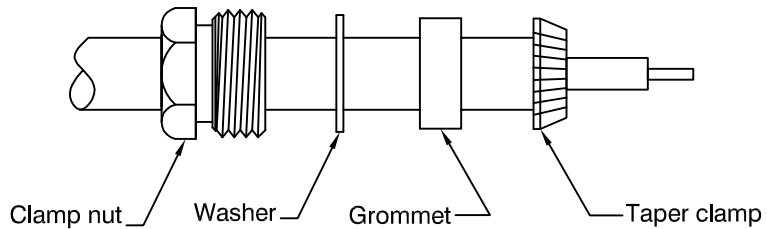
## Assembly Instructions

1) Strip the cable to the dimensions shown. Take care not to nick the centre conductor or braid.

A = 5mm  
B = 6mm  
C = 4mm

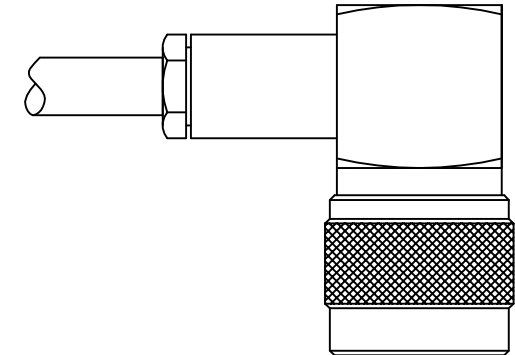


2) Tin the centre conductor. Slide the clamp nut, washer and grommet over the cable. Place the taper clamp over the braid and push back against the cable jacket. Pull the braid back over the taper clamp and trim level with the rear as shown.

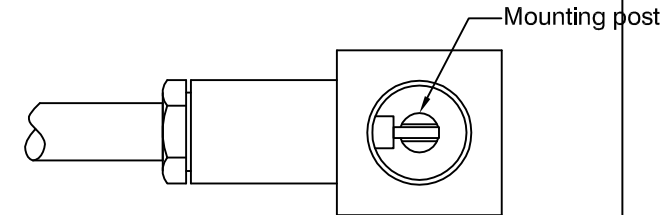


Connector Part Number	Stripping Tool Part Number	CrImp Tool Part Number	Hex Size	
			Pin	Ferrule
VNS20-2019	N/A	N/A	N/A	N/A
VNS20-2020	N/A	N/A	N/A	N/A
VNS20-2031	N/A	N/A	N/A	N/A
VNS20-2050	N/A	N/A	N/A	N/A
VNS20-2051	N/A	N/A	N/A	N/A

3) Insert the cable and parts into the connector body. Tighten the Clamp nut using the appropriate wrenches.



4) Solder the center conductor to the mounting post and screw in the cap.



CAD Issue	SN	2	11 Jan 02
First Issue	DJH	1	18 Aug 97
DESCRIPTION OF REVISION	APPVD	ISS	DATE



Cinch Connectivity Solutions, Ltd  
11 Bilton Road  
Chelmsford  
Essex CM1 2UP, England  
T: +44 (0) 1245 342060  
F: +44 124 535 8938

SCALE: Not To Scale

DIMENSIONS: mm

TOLERANCES:

DRAWN BY:

S Nash

CHECKED BY:

S Nash

APPROVED BY:

P Couzens

DATE:

11 Jan 02

DESCRIPTION:

Stripping and Assembly  
Instructions for N Clamp Right  
Angle Plug.

DRAWING NUMBER:

**VAIN2201**

PAGE: 1 OF 1