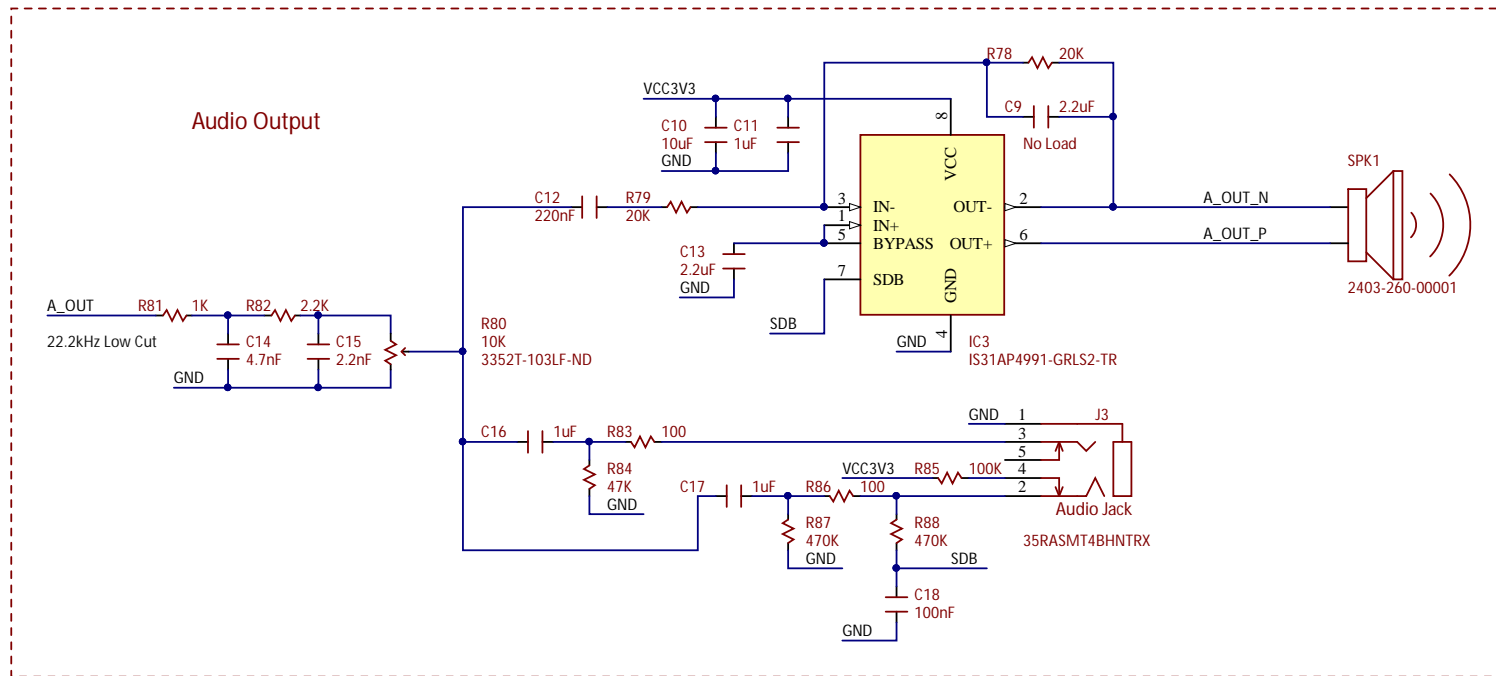
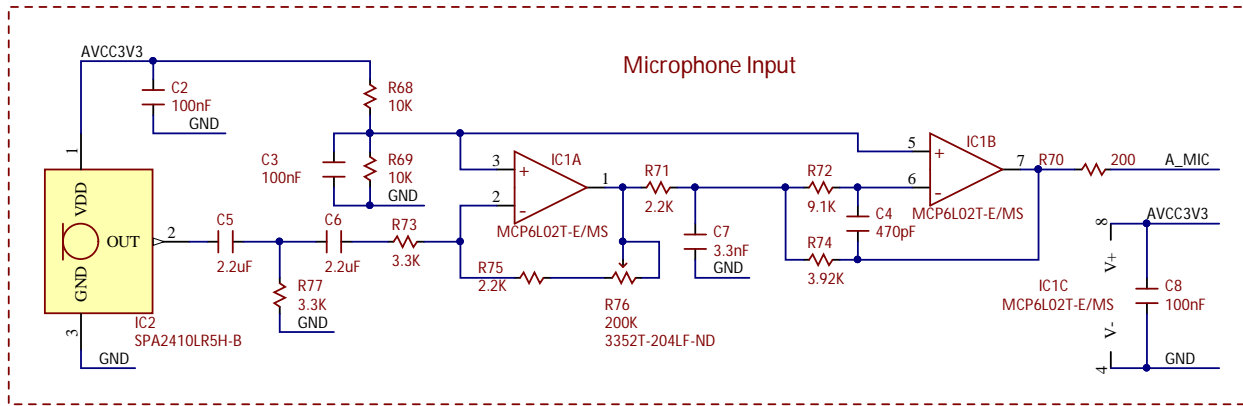


- F1 Foot
- F2 Foot
- F3 Foot
- F4 Foot
- F5 Foot
- F6 Foot
- F7 Foot
- F8 Foot

CE ROHS Basys MX3 Chinese ROHS

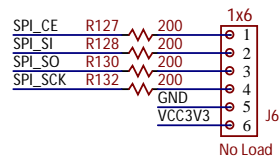
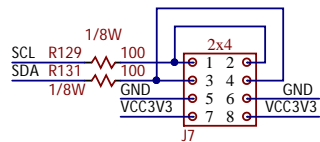
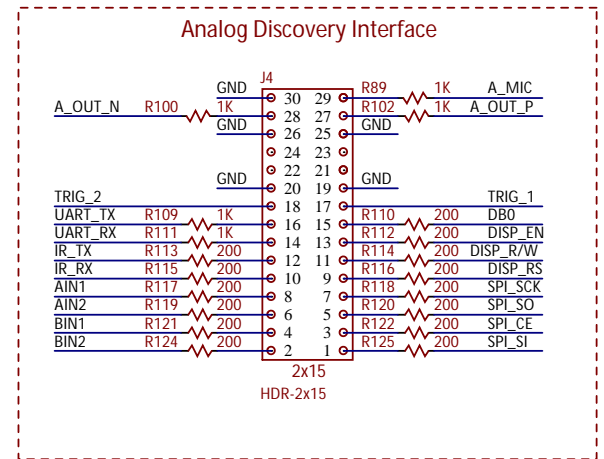
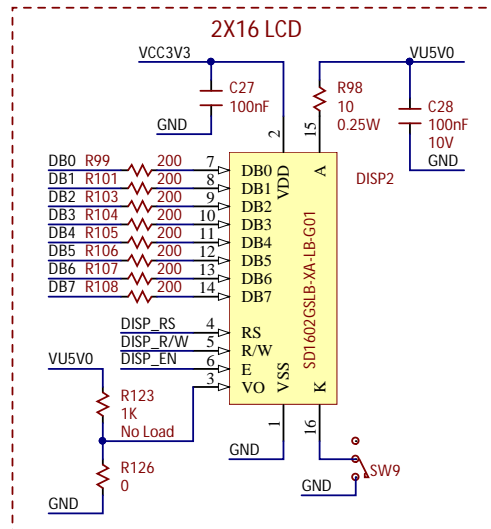
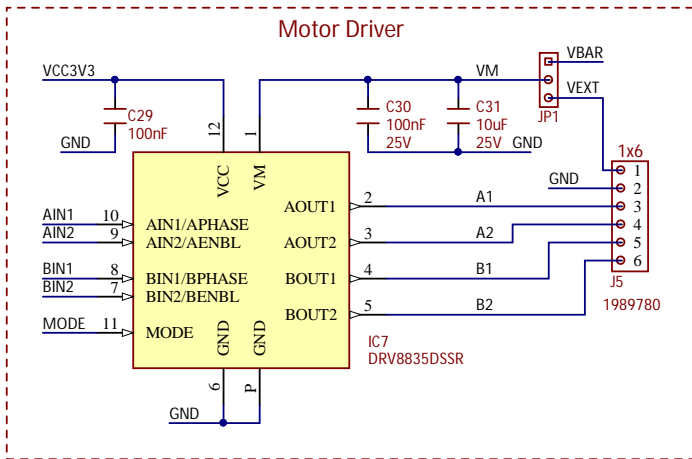
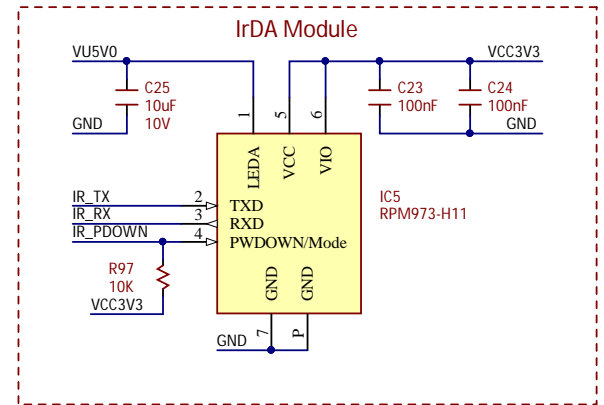
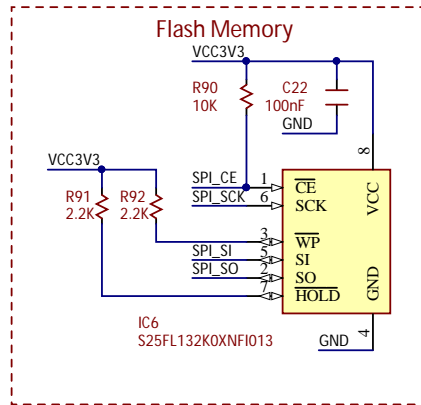
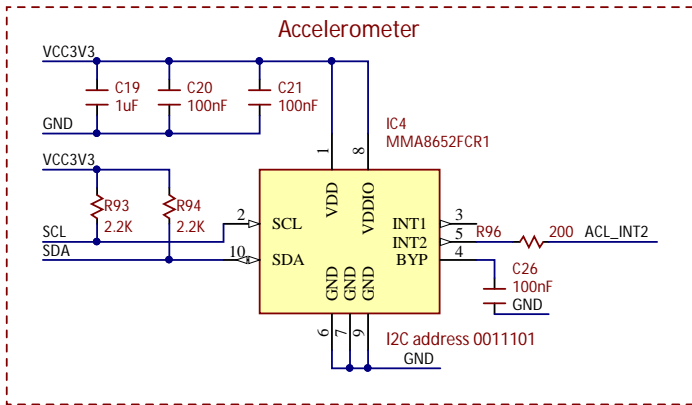
Title		Rev
<h1>Basys MX3</h1>		<h2>B.0</h2>
		Copyright 2016
Circuit	User I/O's	
Doc#	500-336	
Engineer	MTA	
Author	DL	
Date	7/25/2016	
Sheet#	1 out of 6	

**DIGILENT**

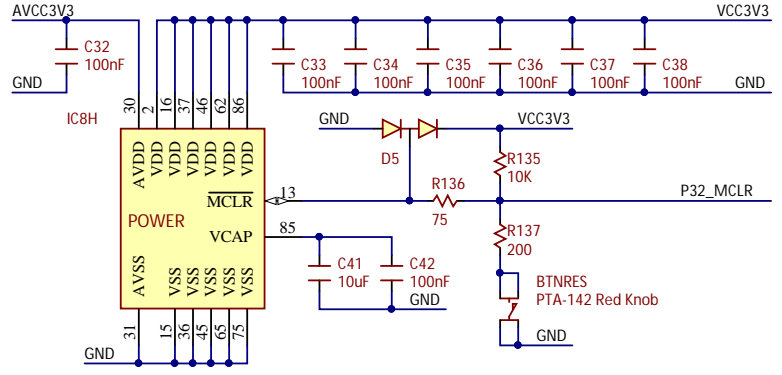
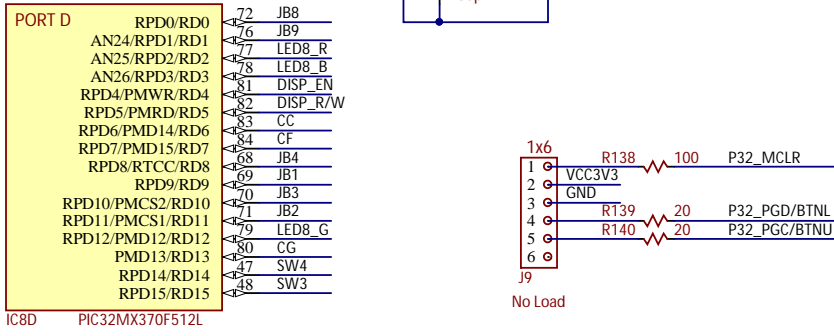
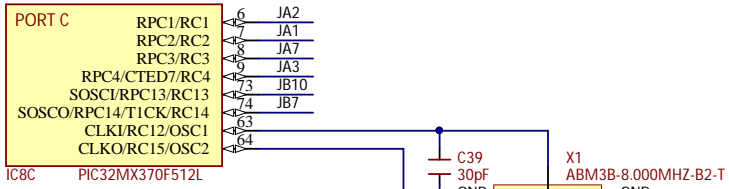
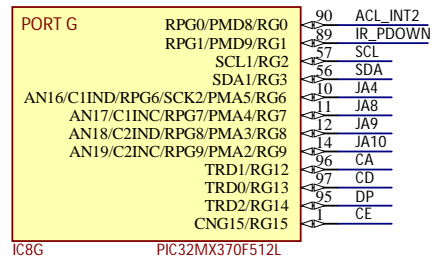
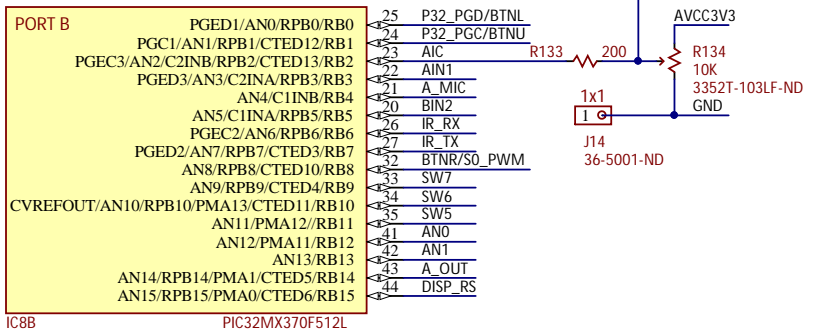
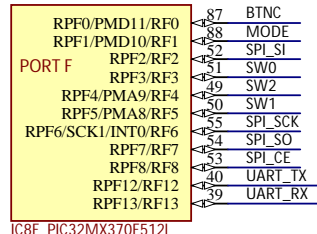
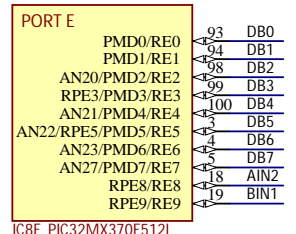
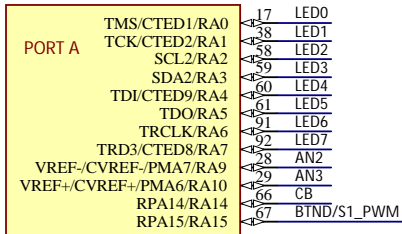


Title		Rev
<b>Basys MX3</b>		<b>B.0</b>
		Copyright 2016
Circuit		
Microphone, Audio Output		
Doc#	500-336	
Engineer	MTA	
Author	DL	
Date	7/25/2016	
Sheet#	2 out of 6	



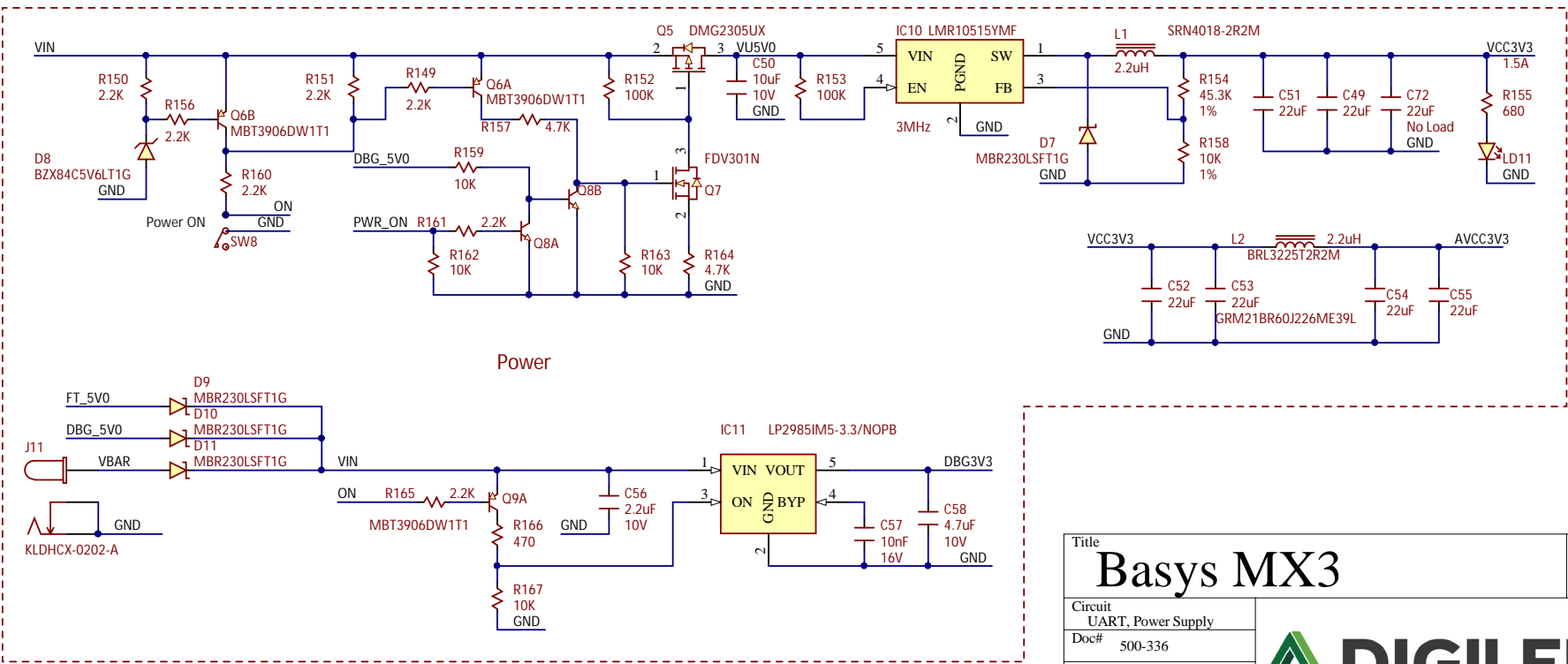
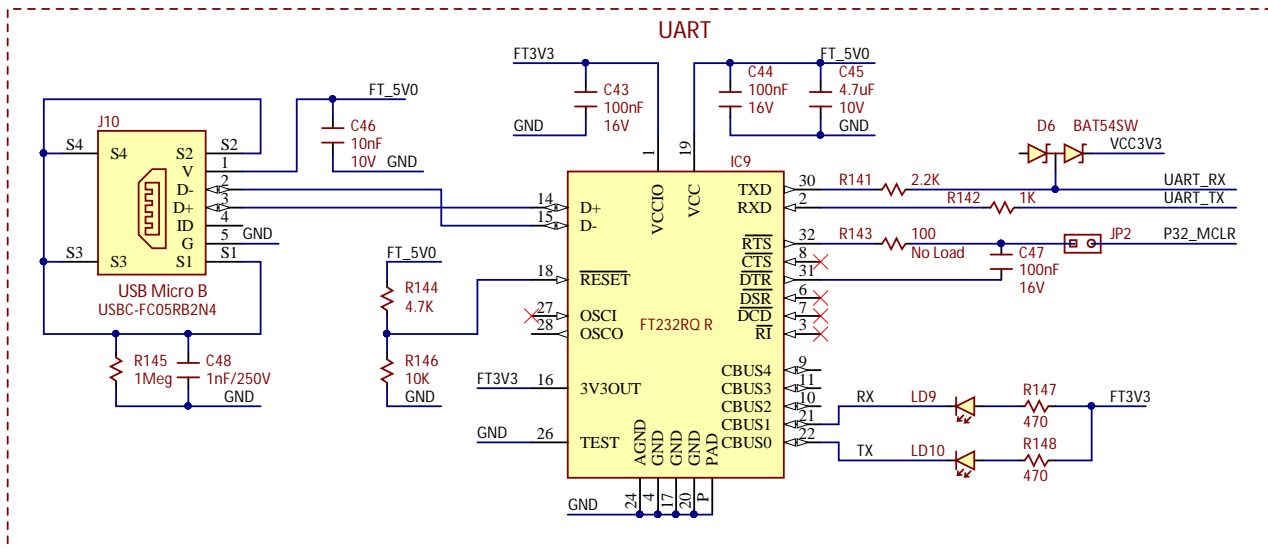


Title		Rev
<b>Basys MX3</b>		<b>B.0</b>
Circuit ACL, Flash, IrDA Motor Driver, LCD, AD Conn		Copyright 2016
Doc#	500-336	
Engineer	MTA	
Author	DL	
Date	7/25/2016	
Sheet#	3 out of 6	



Title		Rev
<b>Basys MX3</b>		<b>B.0</b>
Circuit		MCU
Doc#		500-336
Engineer		MTA
Author		DL
Date		7/25/2016
Sheet#		4 out of 6





Title <h1 style="margin: 0;">Basys MX3</h1>	Rev <h1 style="margin: 0;">B.0</h1> Copyright 2016
Circuit UART, Power Supply	
Doc# 500-336	
Engineer MTA	
Author DL	
Date 7/25/2016	
Sheet# 5 out of 6	



This Page Intentionally Left Blank

Title	Basys MX3	Rev	B.0
			Copyright 2016
Circuit	Debug		
Doc#	500-336		
Engineer	MTA		
Author	DL		
Date	7/25/2016		
Sheet#	6 out of 6		