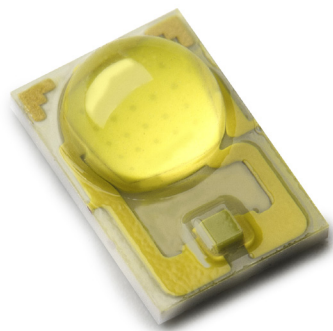




LUXEON Rebel ES

High value and easy design-in



LUXEON Rebel ES is a high flux LED that gives you the flexibility you need to design luminaires and lamps for outdoor and industrial lighting applications and bring them to market. Tested and binned at 700mA, confidently design LUXEON Rebel ES into high lumen applications or create more energy efficient devices using the same emitter. Luminaire manufacturers and designers count on LUXEON Rebel ES for quality, reliability and in-device performance.

FEATURES AND BENEFITS

- High lm/\$ for cost competitive applications
- Broad portfolio of emitters for indoor and outdoor applications
- CCT and CRI combinations to support a wide range of applications
- Extensive applications ecosystem for easy design-in and quick ROI
- LM-80 test report available

PRIMARY APPLICATIONS

- High Bay & Low Bay
- Outdoor
- Specialty Lighting

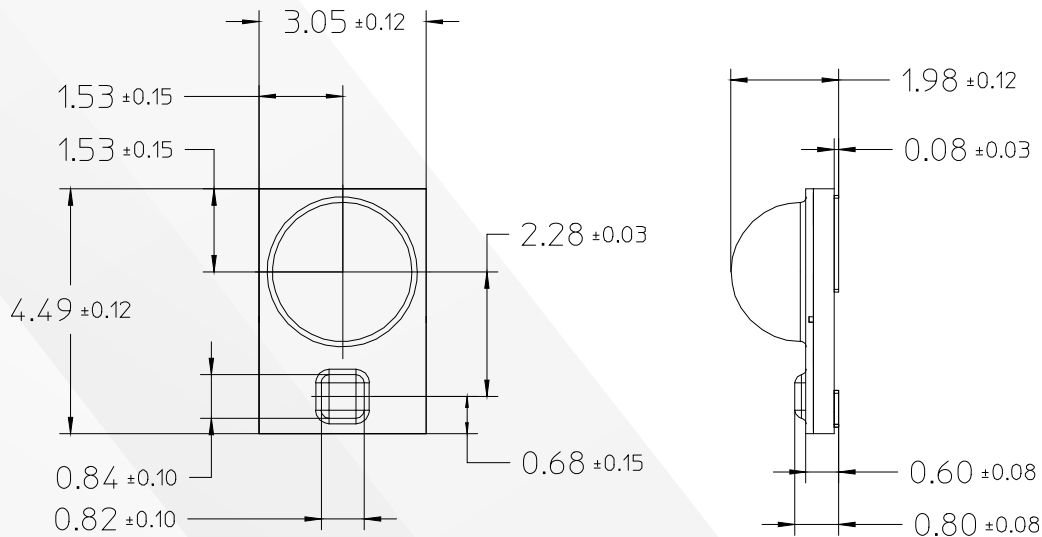
LUXEON Rebel ES product performance at 700mA and 350mA, $T_j=25^{\circ}\text{C}$.

NOMINAL CCT ^[1]	MINIMUM CRI ^[2, 3]	LUMINOUS FLUX ^[3] (lm)		TYPICAL LUMINOUS EFFICACY (lm/W)	TYPICAL LUMINOUS FLUX (lm)	TYPICAL LUMINOUS EFFICACY (lm/W)	PART NUMBER
		MINIMUM	TYPICAL				
		700mA			350mA		
4100K Neutral White	60	200	230	110	130	130	LXML-PWN2
5650K Cool White	60	200	235	112	135	135	LXML-PWC2
4000K	70	180	205	98	114	114	LXH7-PW40

Notes:

1. Correlated color temperature is based upon mounted die on highly reflective surface at $T_j=25^{\circ}\text{C}$.
2. Lumileds maintains a tolerance of ± 2 on CRI and $\pm 6.5\%$ on flux measurements.
3. Typical CRI is approximately 2 points higher than the minimum CRI specified, but this is not guaranteed.

Mechanical Dimensions.



Notes:

1. Drawings are not scale.
2. All dimensions are in millimeters.