



4 Way SMA Power Divider from 1 GHz to 2 GHz Rated at 30 Watts

Power Dividers Technical Data Sheet

PE20DV015

Electrical Specifications

Design Reactive
Number of Output Ports 4

Description	Minimum	Typical	Maximum	Units
Frequency Range	1		2	GHz
Impedance		50		Ohms
Input VSWR			1.3:1	
Output VSWR			1.2:1	
Insertion Loss			0.6	dB
Isolation	20			dB
Amplitude Balance			0.3	dB
Phase Balance			3	Degrees
Input Power (CW)			30	Watts

Mechanical Specifications

Size
Length 2.21 in [56.13 mm]
Width 1.69 in [42.93 mm]
Height 0.39 in [9.91 mm]

Configuration
Input Connector SMA Female
Output Connectors SMA Female

Environmental Specifications

Temperature
Operating Range -55 to +125 deg C

Compliance Certifications (see [product page](#) for current document)

Plotted and Other Data

Notes:

4 Way SMA Power Divider from 1 GHz to 2 GHz Rated at 30 Watts from Pasternack Enterprises has same day shipment for

Click the following link (or enter part number in "SEARCH" on website) to obtain additional part information including price, inventory and certifications: [4 Way SMA Power Divider from 1 GHz to 2 GHz Rated at 30 Watts PE20DV015](#)



4 Way SMA Power Divider from 1 GHz to 2 GHz Rated at 30 Watts

Power Dividers Technical Data Sheet

PE20DV015

domestic and International orders. Our RF, microwave and millimeter wave products maintain a 99.4% availability and are part of the broadest selection in the industry.

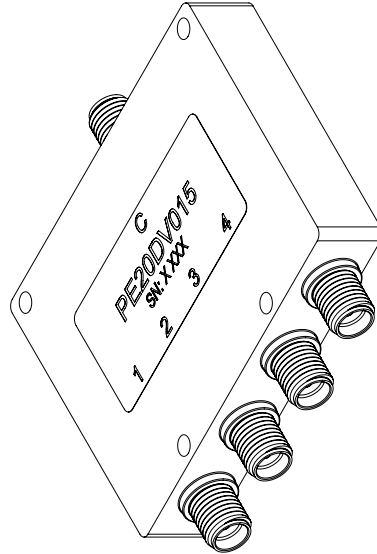
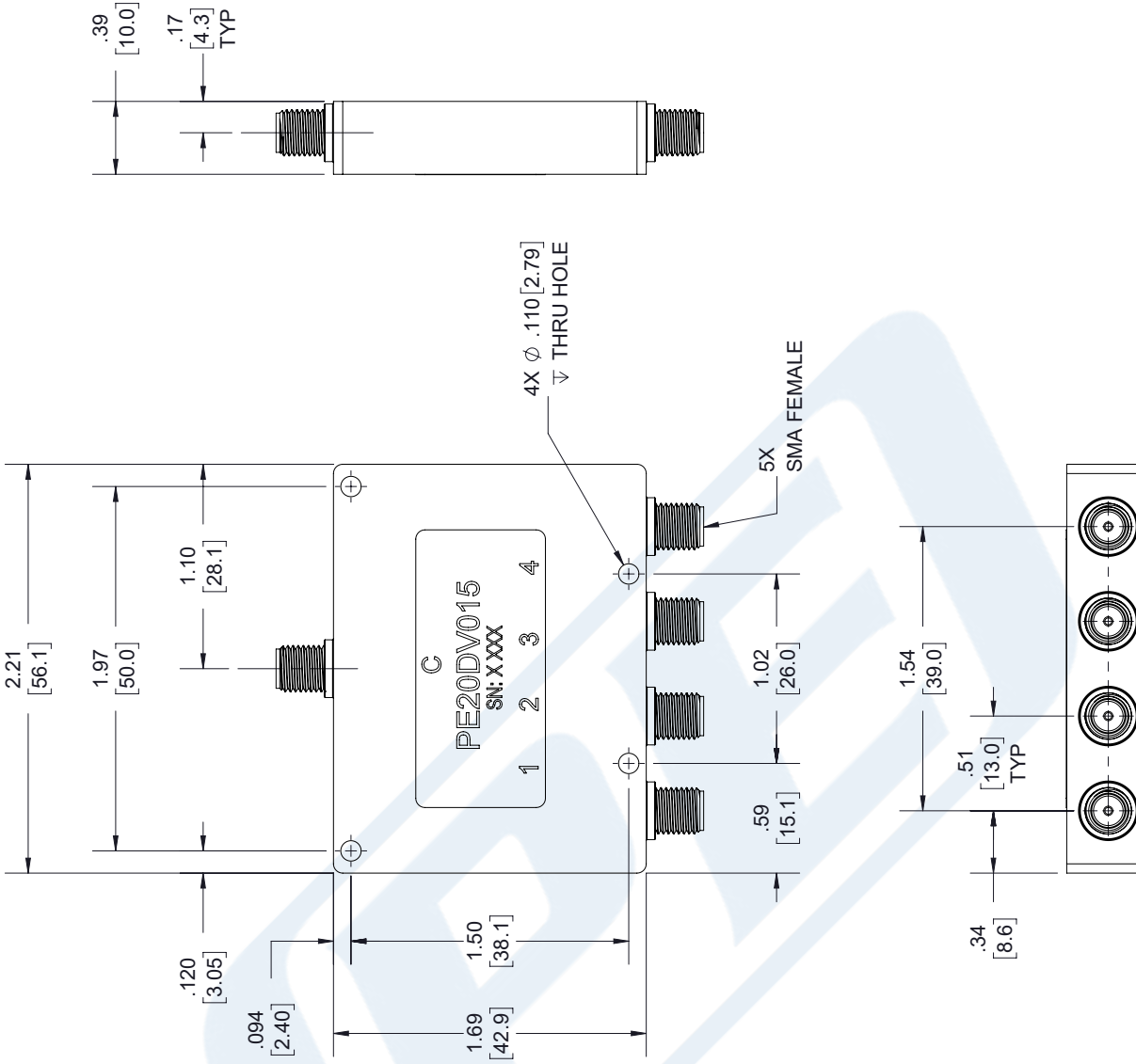
Click the following link (or enter part number in "SEARCH" on website) to obtain additional part information including price, inventory and certifications: [4 Way SMA Power Divider from 1 GHz to 2 GHz Rated at 30 Watts PE20DV015](https://www.pasternack.com/4-way-sma-power-divider-2-ghz-pe20dv015-p.aspx)

URL: <https://www.pasternack.com/4-way-sma-power-divider-2-ghz-pe20dv015-p.aspx>

The information contained in this document is accurate to the best of our knowledge and representative of the part described herein. It may be necessary to make modifications to the part and/or the documentation of the part, in order to implement improvements. Pasternack reserves the right to make such changes as required. Unless otherwise stated, all specifications are nominal. Pasternack does not make any representation or warranty regarding the suitability of the part described herein for any particular purpose, and Pasternack does not assume any liability arising out of the use of any part or documentation.

PE20DV015 CAD Drawing

4 Way SMA Power Divider from 1 GHz to 2 GHz Rated at 30 Watts



STANDARD TOLERANCES

.X ±0.2
.XX ±0.01
.XXX ±0.005

*STANDARD TOLERANCES APPLY ONLY TO DIMENSIONS IN INCHES



Pasternack Enterprises, Inc.
P.O. Box 16759 | Irvine | CA | 92623

Phone: (949) 261-1920 | Fax: (949) 261-7451

Website: www.pasternack.com | E-Mail: sales@pasternack.com

DWG TITLE

PE20DV015

NOTES:
1. UNLESS OTHERWISE SPECIFIED ALL DIMENSIONS ARE NOMINAL.
2. ALL SPECIFICATIONS ARE SUBJECT TO CHANGE WITHOUT NOTICE AT ANY TIME.
3. DIMENSIONS ARE IN INCHES [mm].

CAGE CODE 53919

CAD FILE 07/19/18

SCALE N/A

SIZE A

7361