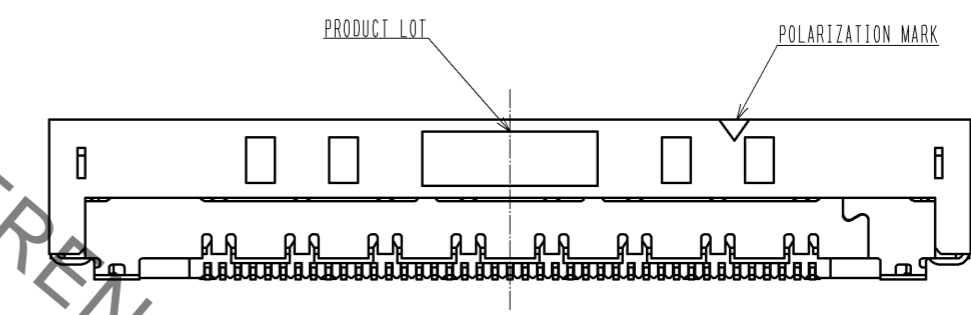
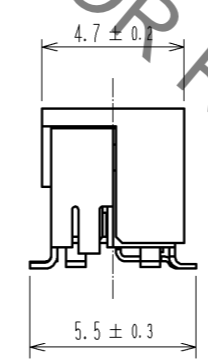
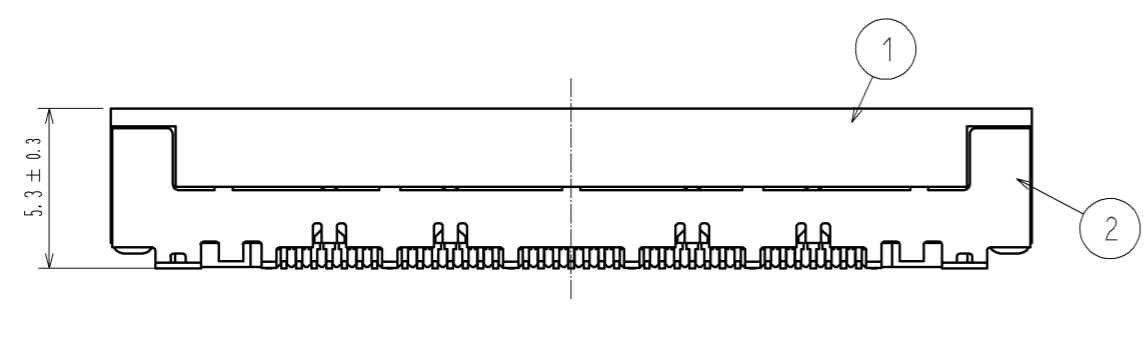
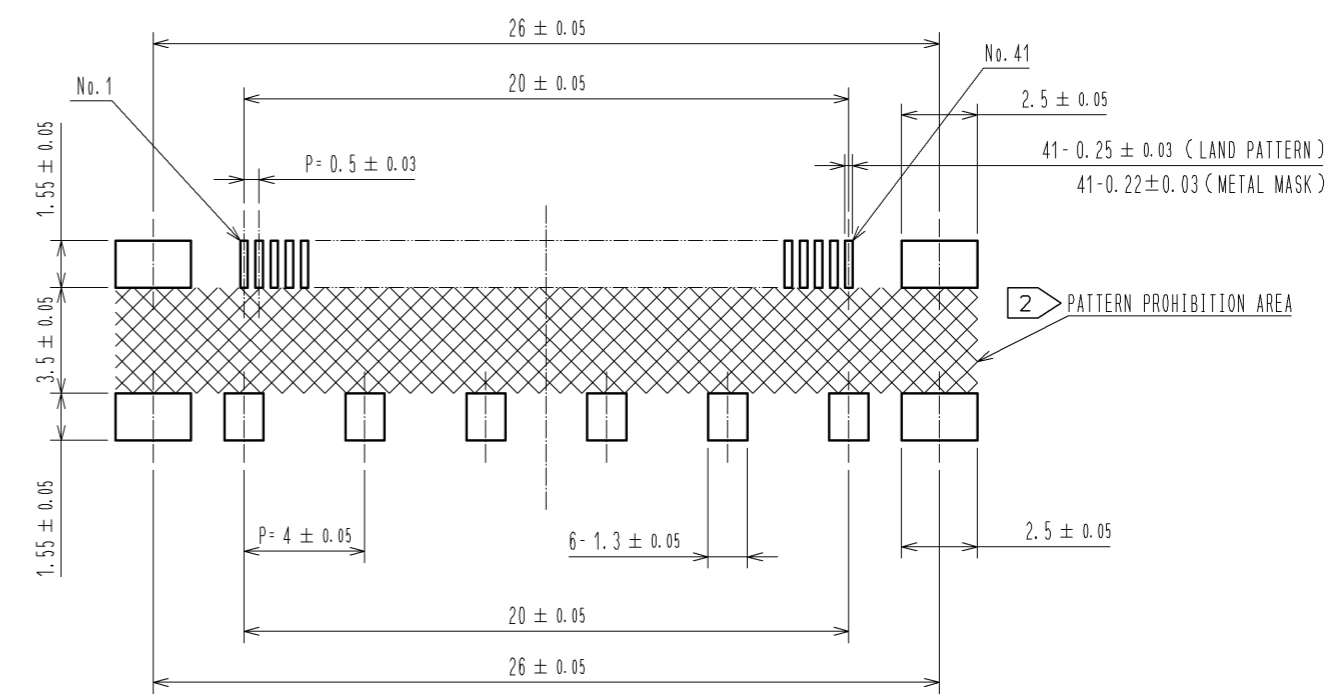
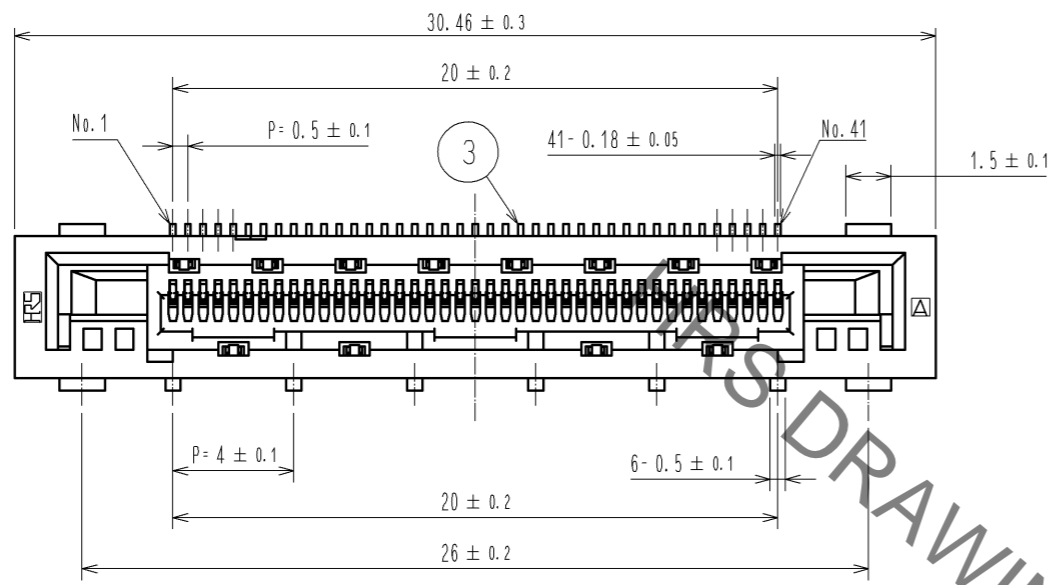


Aug.1.2019 Copyright 2019 HIROSE ELECTRIC CO., LTD. All Rights Reserved.
In case of consideration for using Automotive equipment / device which demand high reliability, kindly contact our sales window correspondents.

1 2 3 4 5 6 7 8

A
B
C
D
E
F

RECOMMENDED LAND PATTERN DIMENSION
(METAL MASK THICKNESS: t=0.12)



- NOTE 1 LEAD CO-PLANARITY OF THIS PRODUCT TO BE 0.1MAX.
 2 AREA OF INNER SMT LAND REQUIRES PATTERN PROHIBITION OR RESIST TREATMENT TO PREVENT THE PATTERN TOUCHING TO THE CONTACTS.
 3 () INDICATES A REFERENCE DIMENSION.
 4 MANUFACTURING PROCESS COULD LEAVE SCRATCH AND/OR PUNCH MARKS HAVING NO AFFECT ON THE PRODUCT PERFORMANCE.
 5 PACKAGING FOR THIS PRODUCT APPLIES EMBOSSED CARRIER TAPE PACKAGING. SEE SHEET 2/2 FOR DETAILS.

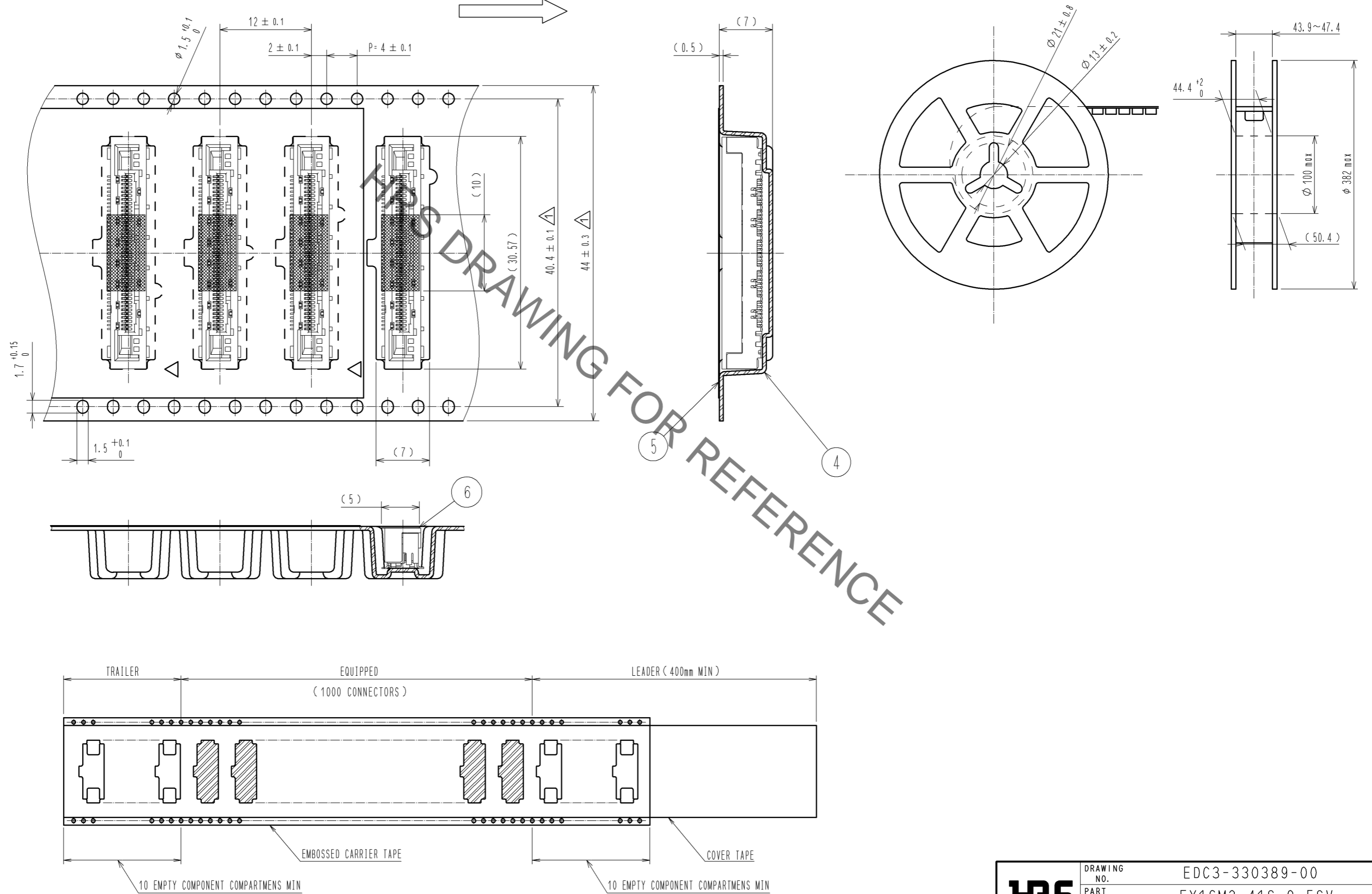
3	PHOSPHOR BRONZE	CONTACT AREA: GOLD 0.1 μm min. LEAD AREA: GOLD 0.03 μm min. UNDER PLATING: NICKEL 1 μm min.	6	PI	TAPE FOR VACUUM PICK UP
1	PA	BLACK, UL94V-0	5	PE	COVER TAPE
			4	PS	EMBOSSED CARRIER TAPE
			2	BRASS	OVER PLATING: TIN PLATING 1 μm min. UNDER PLATING: NICKEL 2 μm min.
NO.	MATERIAL	FINISH, REMARKS	NO.	MATERIAL	FINISH, REMARKS
UNITS mm		SCALE 4:1	COUNT 2	DESCRIPTION OF REVISIONS DIS-F-005350	DESIGNED KN. SHIBUYA
					CHECKED HT. YAMAGUCHI
					DATE 11.03.08
HRS	HIROSE ELECTRIC CO., LTD.	APPROVED: HS. OKAWA 10.03.09	DRAWING NO.	EDC3-330389-00	
		CHECKED: HT. YAMAGUCHI 10.03.09	PART NO.	FX16M2-41S-0.5SV	
		DESIGNED: TP. MATSUMOTO 10.03.08	CODE NO.	CL575-3002-6-00	
		DRAWN: TP. MATSUMOTO 10.03.08		1/2	

Aug.1.2019 Copyright 2019 HIROSE ELECTRIC CO., LTD. All Rights Reserved.
 In case of consideration for using Automotive equipment / device which demand high reliability, kindly contact our sales window correspondents.

DRAWING FOR PACKING (2:1)

REELED DIMENSION (FREE)

THE DIRECITON OF PULLING OUT



THIS DRAWING FOR REFERENCE

HRS	DRAWING NO.	EDC3-330389-00	2/2
	PART NO.	FX16M2-41S-0.5SV	
	CODE NO.	CL575-3002-6-00	